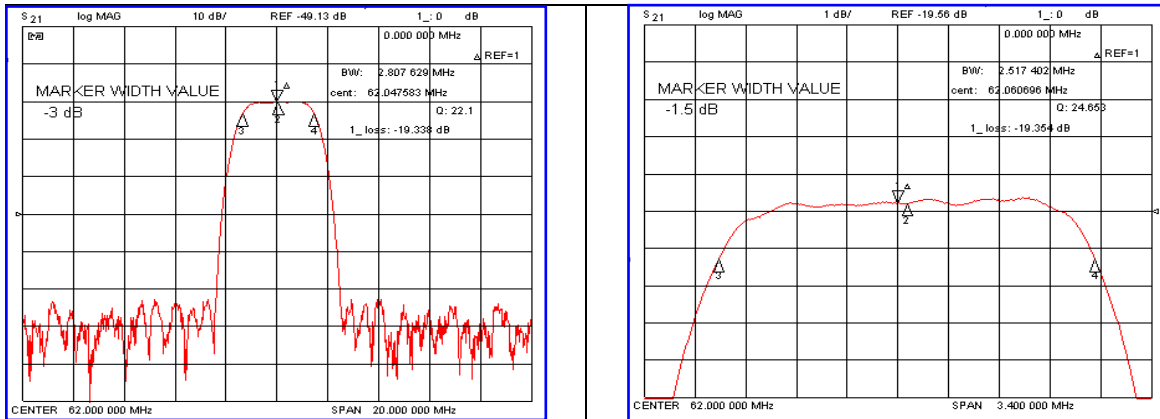


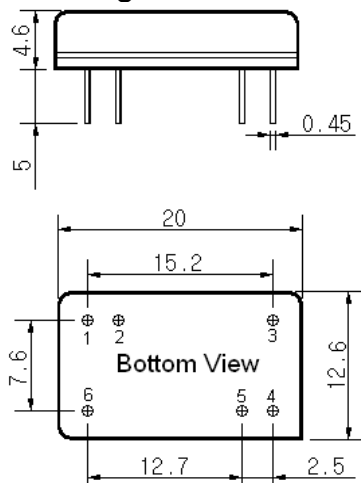
Typical Performance



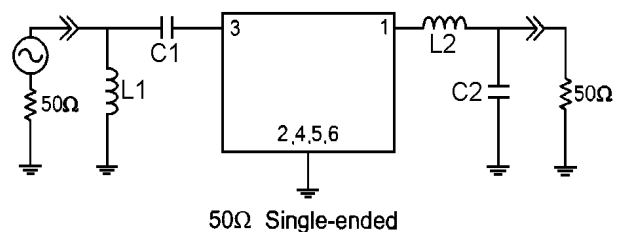
Specification

Parameter	Unit	Min.	Typ.	Max.
Center Frequency	MHz	61.90	62.00	62.10
Insertion Loss	dB	-	19.50	21.50
1.5dB Bandwidth	MHz	2.30	2.51	-
3dB Bandwidth	MHz	-	2.80	-
40dB Bandwidth	MHz	-	4.81	5.00
Passband Ripple	dB	-	0.65	1.00
Group Delay Variation	nsec	-	100	200
Absolute Delay	μsec	-	1.54	-
Ultimate Attenuation	dB	50	52	-
Substrate Material	-	112- LiTaO ₃		
Temperature Coefficient	ppm/°C	-20		

Package Dimension



Matching Configuration



L1=120nH, L2=100nH, C1=240pF, C2=30pF
 Source / Load Impedance = 50Ω
 Ambient Temperature = 25°C

Rev0. 100526

