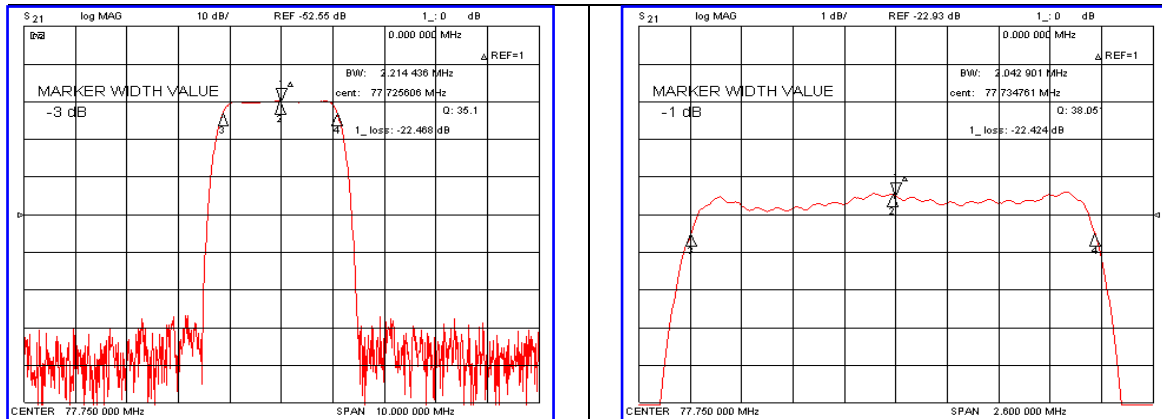


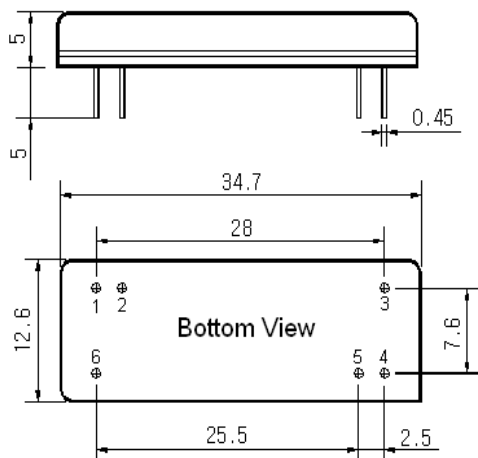
Typical Performance



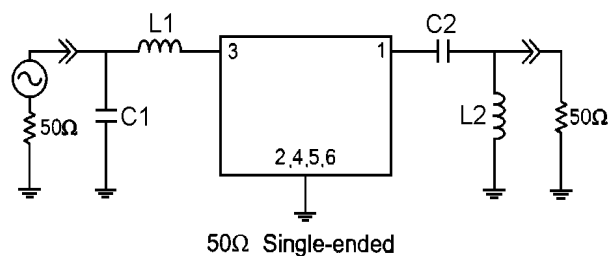
Specification

Parameter	Unit	Min.	Typ.	Max.
Center Frequency	MHz	77.70	77.76	77.82
Insertion Loss	dB	-	22.50	25.00
1dB Bandwidth	MHz	-	2.04	-
3dB Bandwidth	MHz	-	2.21	2.30
40dB Bandwidth	MHz	-	2.90	3.00
Passband Ripple	dB	-	0.55	1.00
Group Delay Variation	nsec	-	170	300
Absolute Delay	usec	-	5.15	-
Ultimate Attenuation	dB	50	55	-
Substrate Material	-	112-LiTaO ₃		
Temperature Coefficient	ppm/°C	-20		

Package Dimension



Matching Configuration



L1=27nH, L2=100nH, C1=39pF, C2=200pF
 Source / Load Impedance = 50Ω
 Ambient Temperature = 25°C

Rev.0 100318

