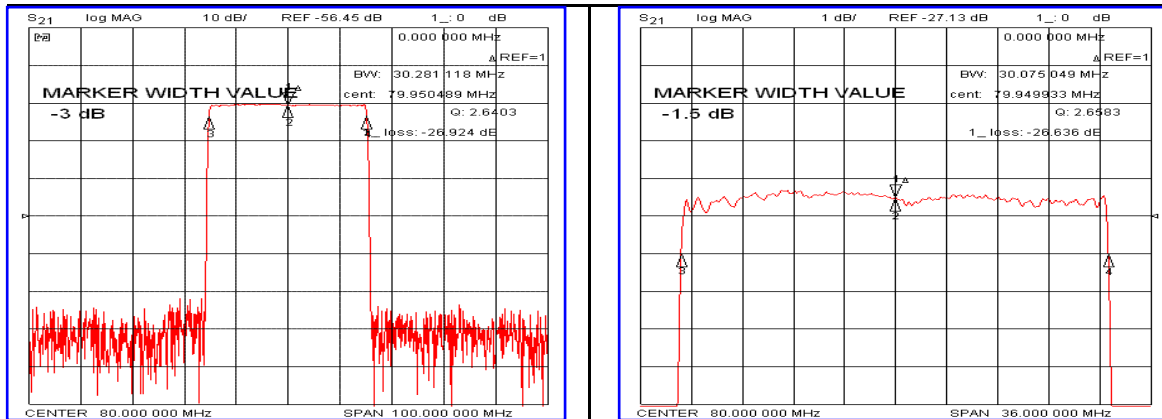


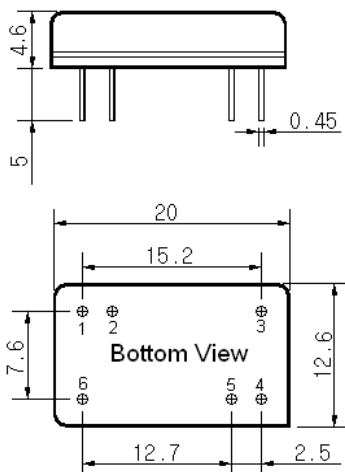
Typical Performance



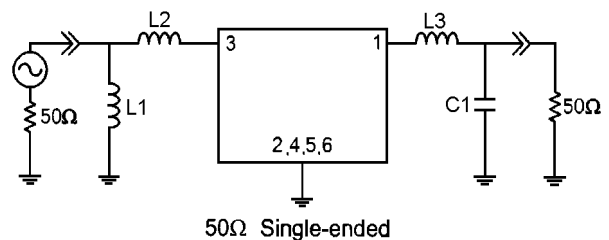
Specification

Parameter	Unit	Min.	Typ.	Max.
Center Frequency	MHz	-	80.00	-
Insertion Loss	dB	-	27.00	29.00
1.5dB Bandwidth	MHz	29.80	30.07	-
3dB Bandwidth	MHz	-	30.28	-
40dB Bandwidth	MHz	-	31.53	31.70
Passband Ripple($F_c \pm 14.7\text{MHz}$)	dB	-	0.65	1.00
Group Delay Variation($F_c \pm 14.7\text{MHz}$)	nsec	-	30	60
Absolute Delay	µsec	-	2.23	-
Ultimate Attenuation	dB	48	52	-
Substrate Material	-	128-LiNbO ₃		
Temperature Coefficient	ppm/°C	-72		

Package Dimension



Matching Configuration



L1=220nH, L2=120nH, L3=150nH, C1=14pF
 Source / Load Impedance = 50Ω
 Ambient Temperature = 25°C

Rev0. 100705

