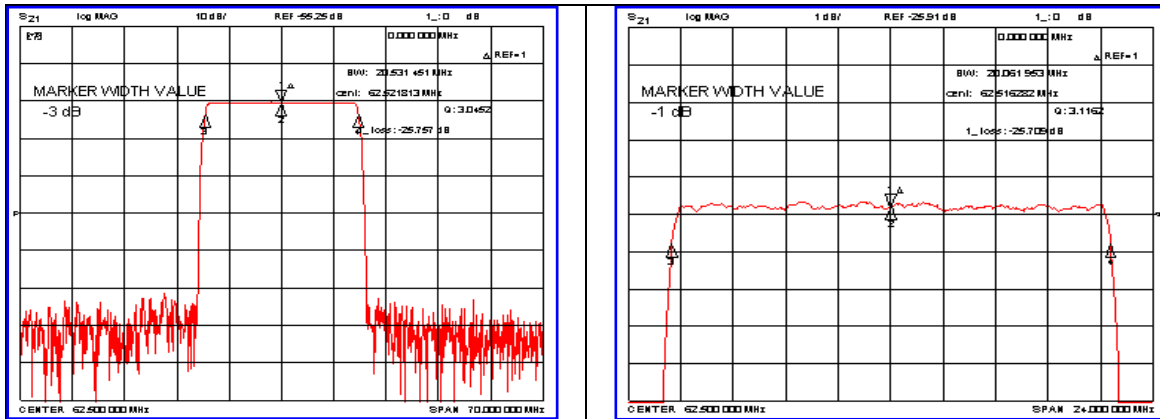


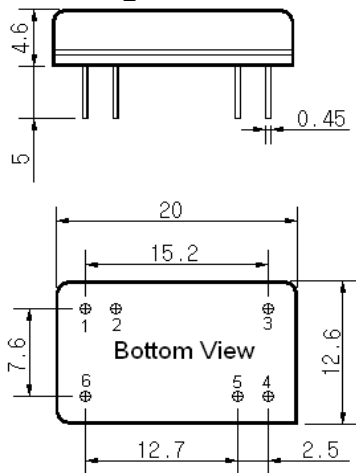
Typical Performance



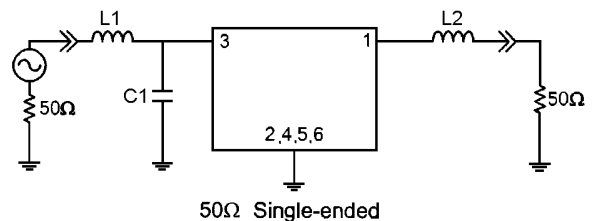
Specification

| Parameter | Unit | Min. | Typ. | Max. |
|-----------------------------------|--------|------------------------|-------|-------|
| Center Frequency | MHz | 62.45 | 62.50 | 62.62 |
| Insertion Loss | dB | - | 25.70 | 26.50 |
| 1dB Bandwidth | MHz | - | 20.06 | - |
| 3dB Bandwidth | MHz | 20.40 | 20.53 | - |
| 40dB Bandwidth | MHz | - | 22.39 | 22.50 |
| Passband Ripple(Fc±9.22MHz) | dB | - | 0.45 | 1.00 |
| Group Delay Variation(Fc±9.22MHz) | nsec | - | 30 | 50 |
| Absolute Delay | µsec | - | 1.84 | - |
| Ultimate Attenuation | dB | 50 | 55 | - |
| Substrate Material | - | 128-LiNbO ₃ | | |
| Temperature Coefficient | ppm/°C | -72 | | |

Package Dimension



Matching Configuration



L1=180nH, L2=220nH, C1=12pF
 Source / Load Impedance = 50Ω
 Ambient Temperature = 25°C

Rev0. 080205

