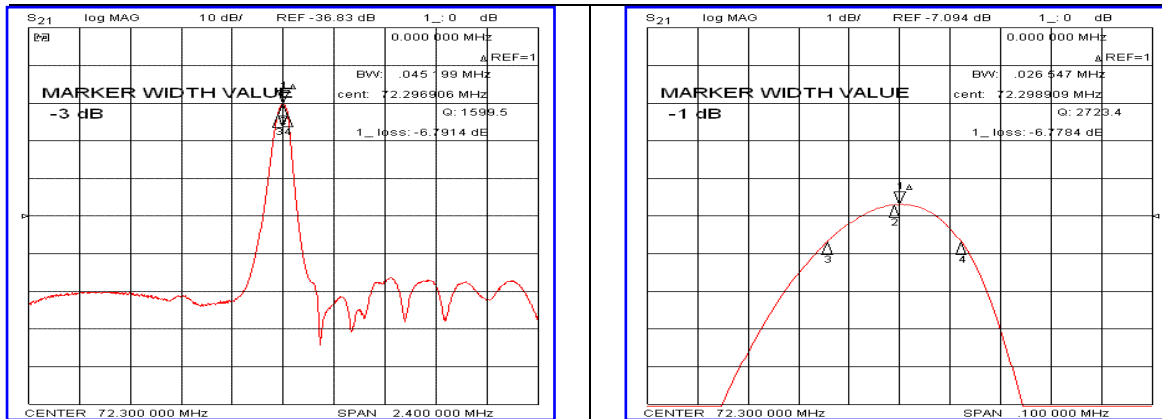


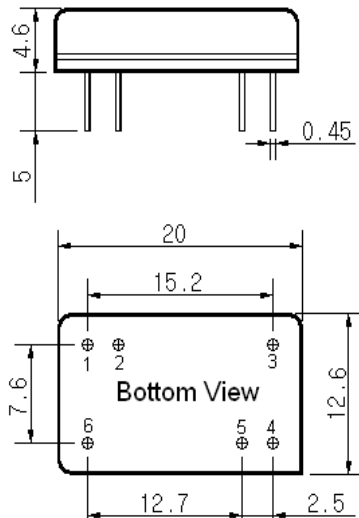
Typical Performance



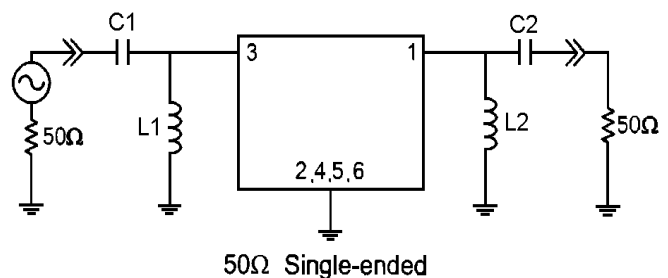
Specification

Parameter	Unit	Min.	Typ.	Max.
Center Frequency	MHz	-	72.30	-
Insertion Loss	dB	-	6.80	8.50
1dB Bandwidth	MHz	-	0.02	-
3dB Bandwidth	MHz	0.03	0.04	-
40dB Bandwidth	MHz	-	0.22	0.50
Group Delay Variation	nsec	-	2.0	-
Absolute Delay	µsec	-	14.11	-
Ultimate Attenuation	dB	-	45	-
Substrate Material	-	Quartz		
Temperature Coefficient	ppm/°C	-0.03		

Package Dimension



Matching Configuration



L1=390nH, L2=390nH, C1=7.3pF, C2=7.3pF
 Source / Load Impedance = 50Ω
 Ambient Temperature = 25°C

Rev1. 100708

