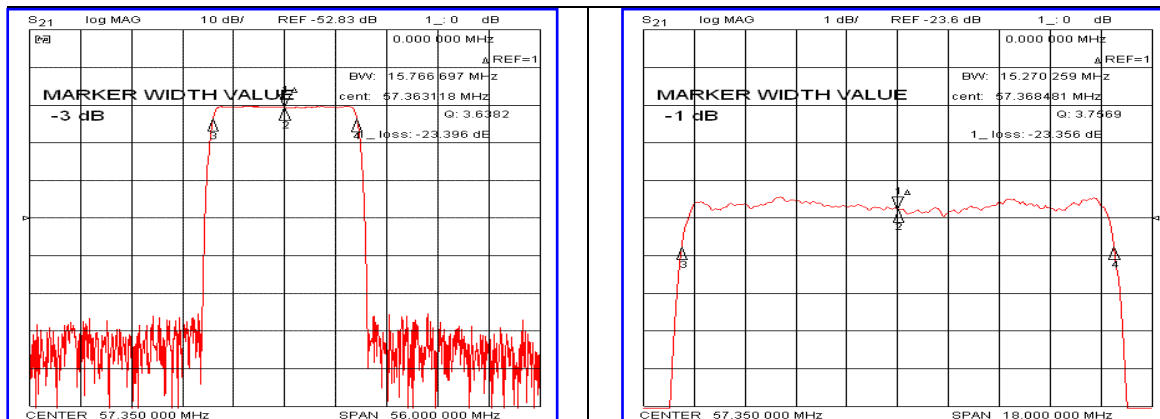


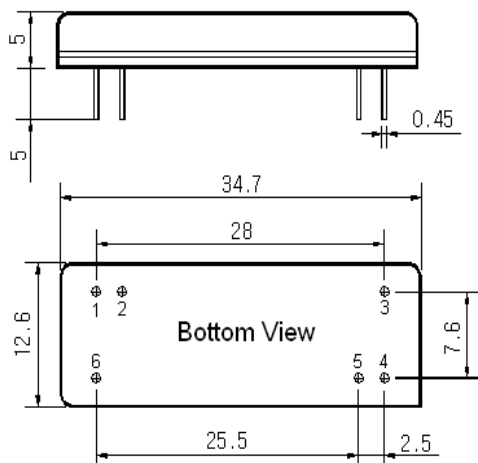
### Typical Performance



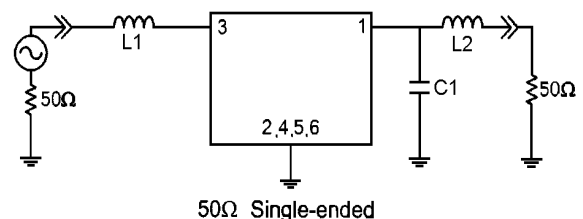
### Specification

Parameter	Unit	Min.	Typ.	Max.
Center Frequency	MHz	57.27	57.35	57.43
Insertion Loss	dB	-	23.50	25.00
1dB Bandwidth	MHz	-	15.27	-
3dB Bandwidth	MHz	15.60	15.76	-
40dB Bandwidth	MHz	-	17.77	17.90
Passband Ripple	dB	-	0.55	1.00
Group Delay Variation	nsec	-	50	100
Absolute Delay	usec	-	1.90	-
Ultimate Attenuation	dB	50	55	-
Substrate Material	-	128-LiNbO <sub>3</sub>		
Temperature Coefficient	ppm/°C	-72		

### Package Dimension



### Matching Configuration



L1=220nH, L2=220nH, C1=15pF  
 Source / Load Impedance = 50Ω  
 Ambient Temperature = 25°C

Rev.0 100810

