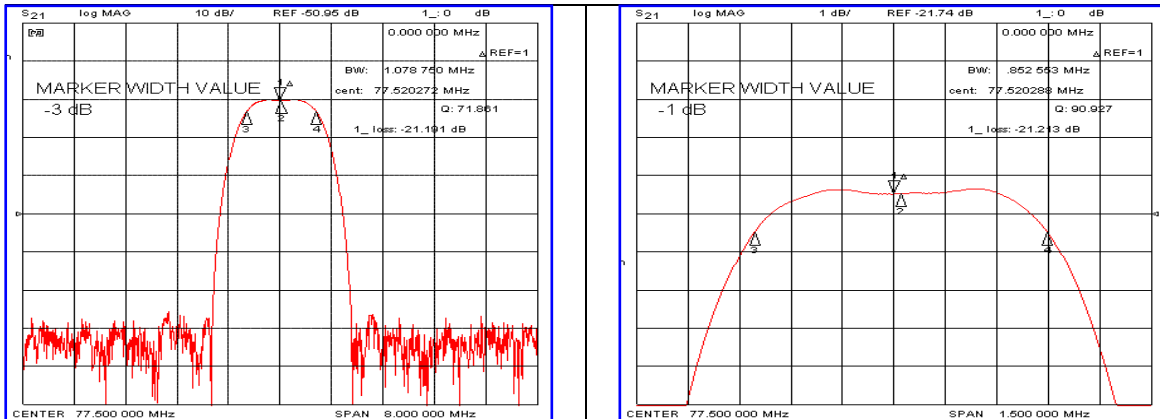


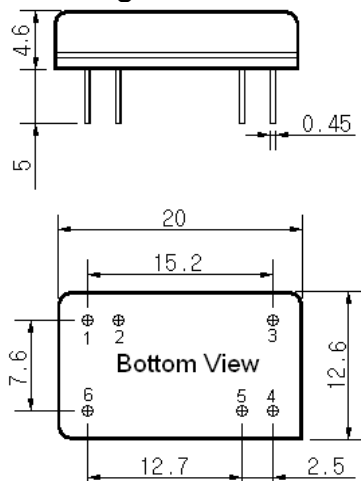
Typical Performance



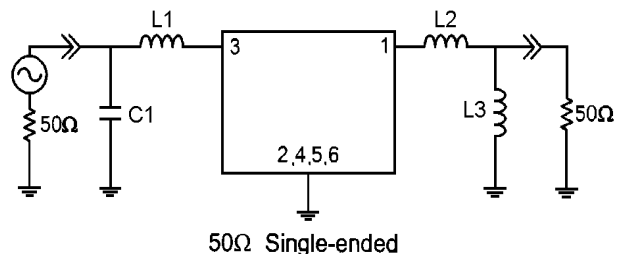
Specification

Parameter	Unit	Min.	Typ.	Max.
Center Frequency	MHz	77.42	77.50	77.58
Insertion Loss	dB	-	21.30	24.00
1dB Bandwidth	MHz	-	0.85	-
3dB Bandwidth	MHz	0.94	1.07	-
40dB Bandwidth	MHz	-	2.02	2.20
Passband Ripple	dB	-	0.40	1.00
Group Delay Variation	nsec	-	100	200
Absolute Delay	µsec	-	2.33	-
Ultimate Attenuation	dB	50	55	-
Substrate Material	-	Quartz		
Temperature Coefficient	ppm/°C	-0.03		

Package Dimension



Matching Configuration



L1=180nH, L2=33nH, L3=180nH, C1=47pF
 Source / Load Impedance = 50Ω
 Ambient Temperature = 25°C

Rev0. 100906

