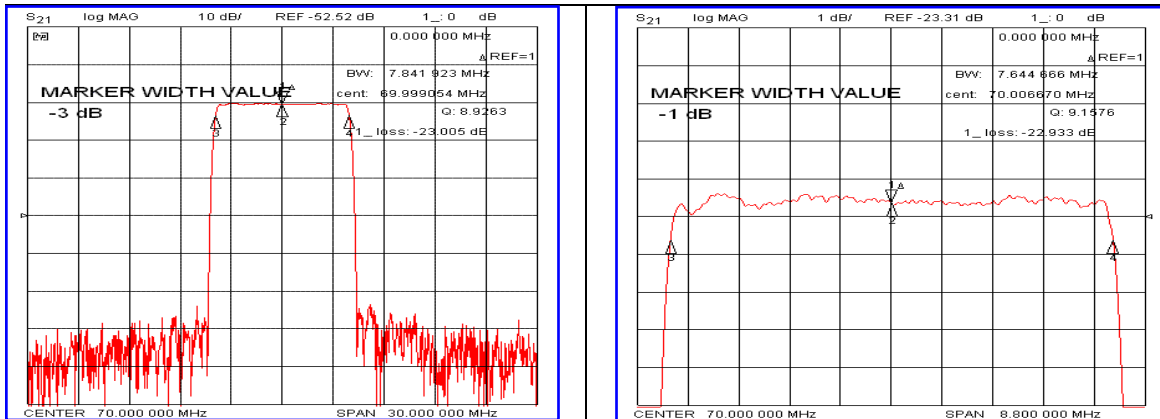


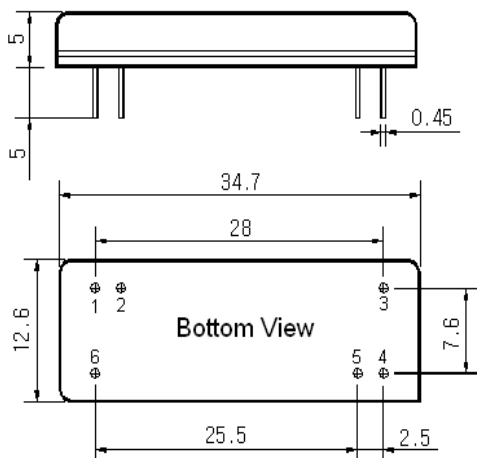
Typical Performance



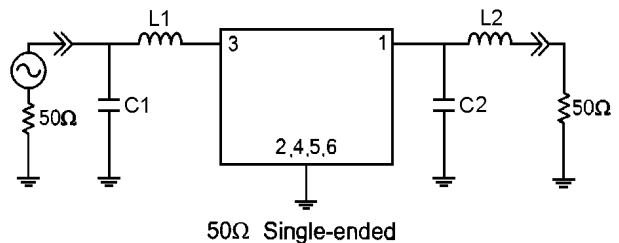
Specification

Parameter	Unit	Min.	Typ.	Max.
Center Frequency	MHz	69.92	70.00	70.08
Insertion Loss	dB	-	23.50	25.00
1dB Bandwidth	MHz	7.58	7.64	-
15dB Bandwidth	MHz	-	8.30	8.40
40dB Bandwidth	MHz	-	8.63	-
Passband Ripple	dB	-	0.60	1.00
Group Delay Variation	nsec	-	100	200
Absolute Delay	usec	-	3.87	-
Ultimate Attenuation	dB	48	53	-
Substrate Material	-	Yz-LiNbO ₃		
Temperature Coefficient	ppm/°C	-94		

Package Dimension



Matching Configuration



L1=100nH, L2=100nH, C1=30pF, C2=20pF
 Source / Load Impedance = 50Ω
 Ambient Temperature = 25°C

Rev.0 100812

