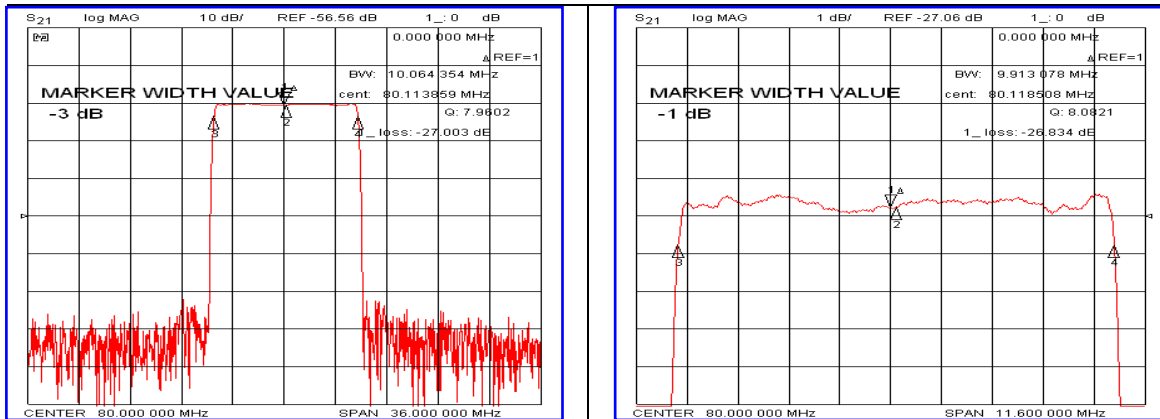


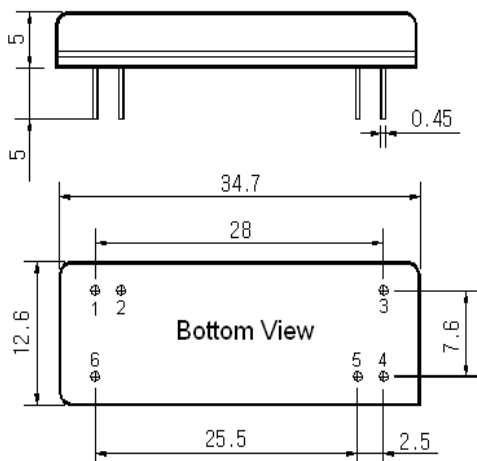
### Typical Performance



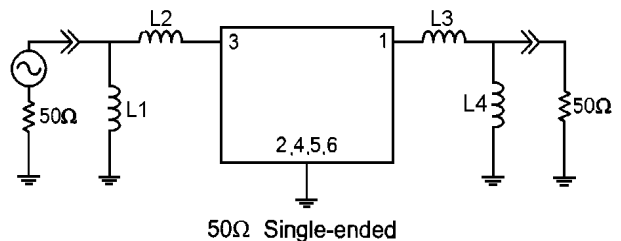
### Specification

Parameter	Unit	Min.	Typ.	Max.
Center Frequency	MHz	-	80.00	-
Insertion Loss	dB	-	27.20	29.50
1dB Bandwidth	MHz	9.80	9.91	-
3dB Bandwidth	MHz	-	10.06	-
15dB Bandwidth	MHz	-	10.42	10.50
Passband Ripple	dB	-	0.80	1.20
Group Delay Variation	nsec	-	105	200
Absolute Delay	usec	-	5.39	-
Ultimate Attenuation	dB	45	50	-
Substrate Material	-	112-LiTaO <sub>3</sub>		
Temperature Coefficient	ppm/°C	-20		

### Package Dimension



### Matching Configuration



L1=33nH, L2=47nH, L3=47nH, L4=33nH  
 Source / Load Impedance = 50Ω  
 Ambient Temperature = 25°C

Rev.0 100812

