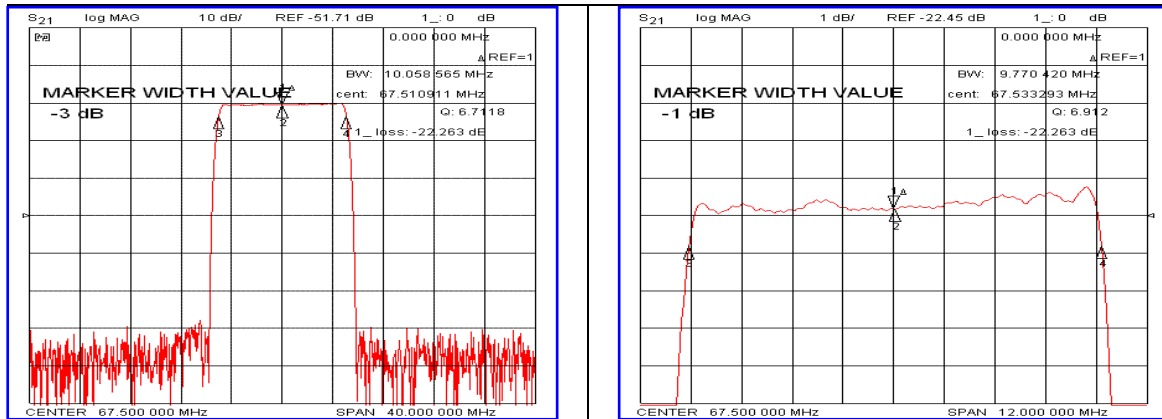


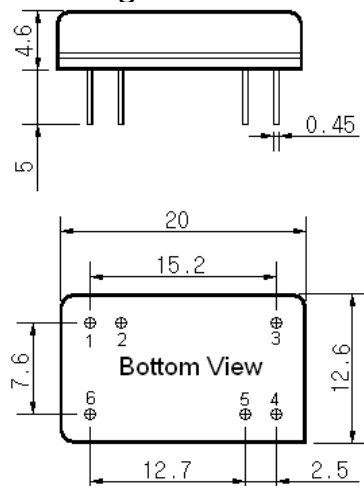
### Typical Performance



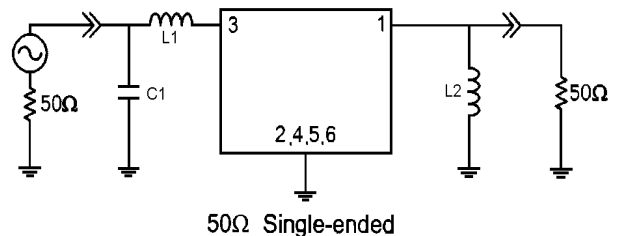
### Specification

Parameter	Unit	Min.	Typ.	Max.
Center Frequency	MHz	-	67.50	-
Insertion Loss	dB	-	22.50	25.00
1dB Bandwidth	MHz	9.65	9.77	-
15dB Bandwidth	MHz	-	10.77	-
40dB Bandwidth	MHz	-	11.38	11.50
Passband Ripple( $F_c \pm 4.5\text{MHz}$ )	dB	-	0.68	1.00
Group Delay Variation( $F_c \pm 4.5\text{MHz}$ )	nsec	-	50	100
Absolute Delay	$\mu\text{sec}$	-	2.27	-
Ultimate Attenuation	dB	50	55	-
Substrate Material	-	128-LiNbO <sub>3</sub>		
Temperature Coefficient	ppm/ $^{\circ}\text{C}$	-72		

### Package Dimension



### Matching Configuration



L1=33nH, L2=270nH, C1=27pF  
 Source / Load Impedance = 50Ω  
 Ambient Temperature = 25°C

Rev0. 100811

