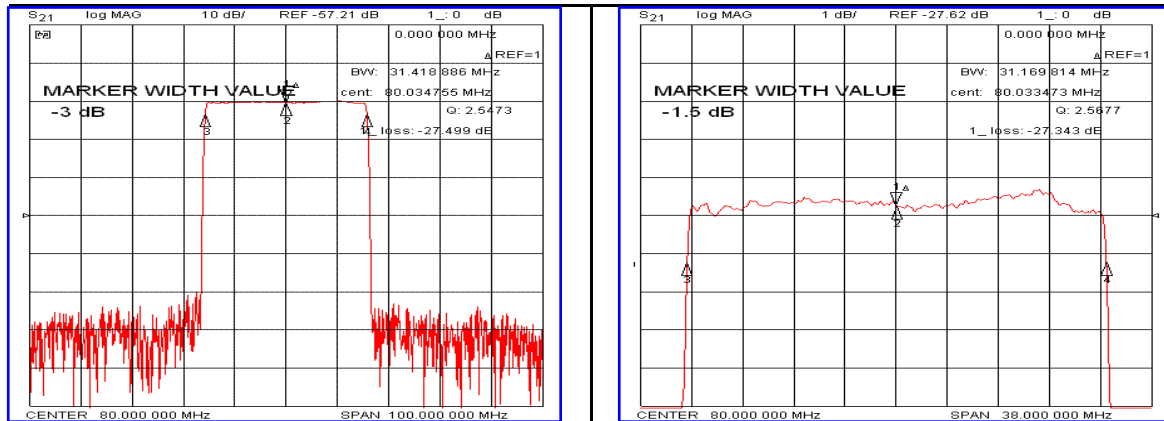


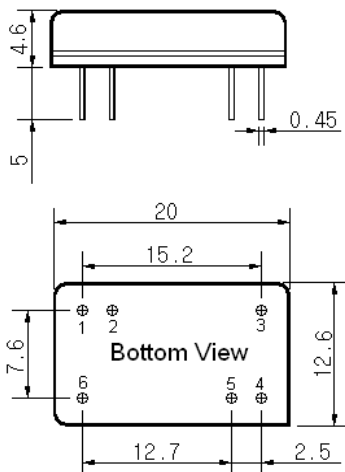
Typical Performance



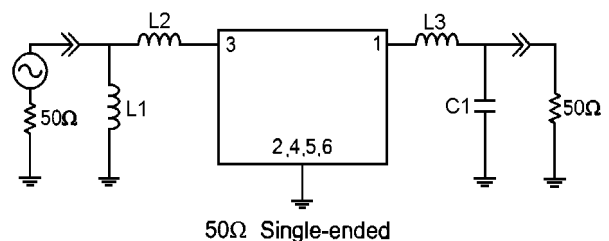
Specification

Parameter	Unit	Min.	Typ.	Max.
Center Frequency	MHz	-	80.00	-
Insertion Loss	dB	-	27.50	29.00
1.5dB Bandwidth	MHz	31.00	31.16	-
3dB Bandwidth	MHz	-	31.41	-
40dB Bandwidth	MHz	-	32.90	33.10
Passband Ripple	dB	-	0.70	1.20
Group Delay Variation	nsec	-	30	60
Absolute Delay	µsec	-	2.23	-
Ultimate Attenuation	dB	48	52	-
Substrate Material	-	128-LiNbO ₃		
Temperature Coefficient	ppm/°C	-72		

Package Dimension



Matching Configuration



L1=180nH, L2=100nH, L3=150nH, C1=3.8pF
 Source / Load Impedance = 50Ω
 Ambient Temperature = 25°C

Rev0. 101021

