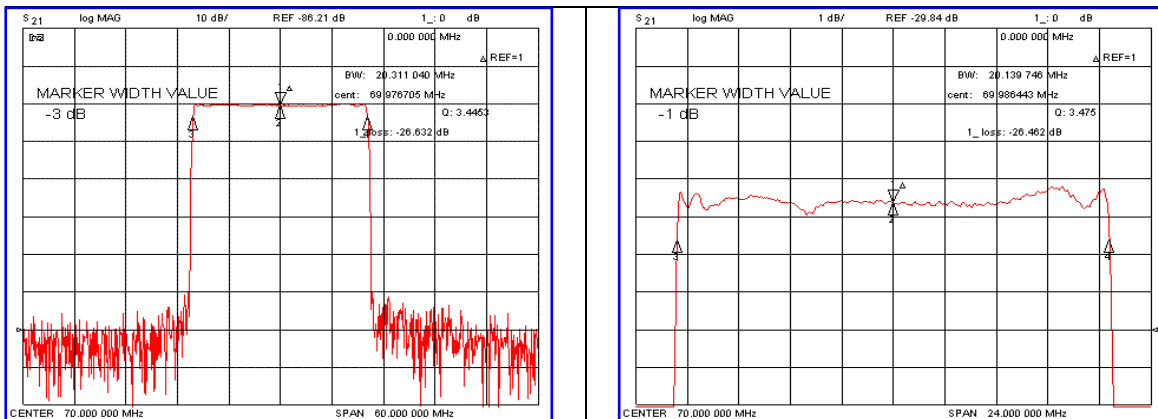


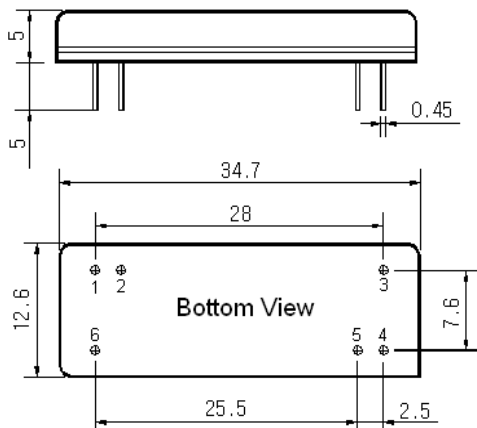
Typical Performance



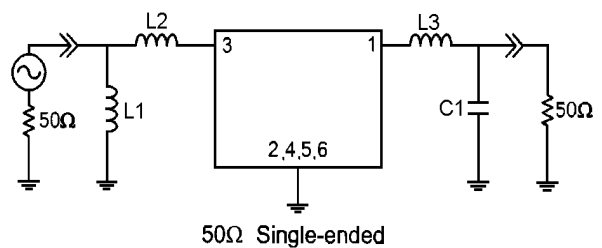
Specification

Parameter	Unit	Min.	Typ.	Max.
Center Frequency (Fo)	MHz	69.92	70.00	70.08
Insertion Loss	dB	-	26.70	28.50
1dB Bandwidth	MHz	20.00	20.13	-
3dB Bandwidth	MHz	-	20.31	-
25dB Bandwidth	MHz	-	20.89	21.00
35dB Bandwidth	MHz	-	21.00	21.10
45dB Bandwidth	MHz	-	21.08	21.20
Ultimate Rejection	dB	47	50	-
Amplitude Ripple	dB	-	0.80	1.20
Absolute Delay	usec	-	3.91	-
Substrate Material	-	128-LiNbO ₃		
Temperature Coefficient	ppm/°C	-72		

Package Dimension



Matching Configuration



L1=180nH, L2=47nH, L3=150nH, C1=15pF
 Source / Load Impedance = 50Ω
 Ambient Temperature = 25°C

Rev.0 100222

