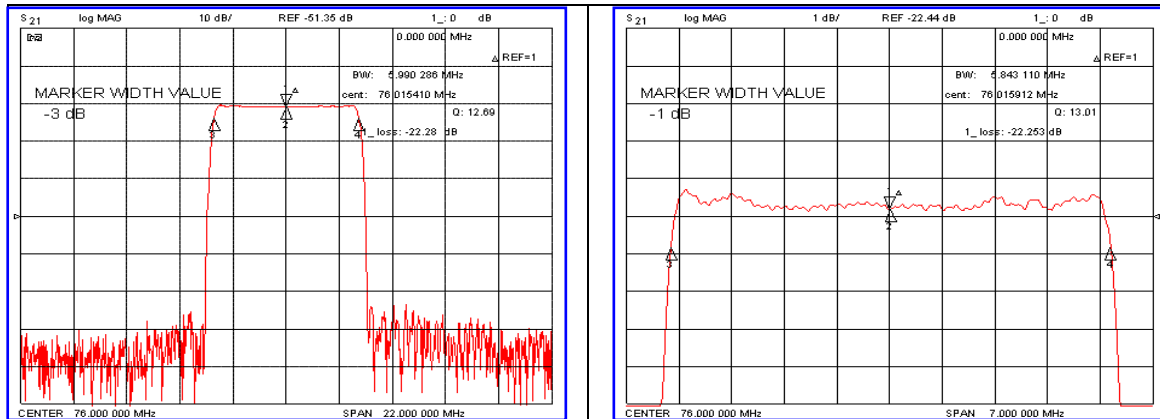


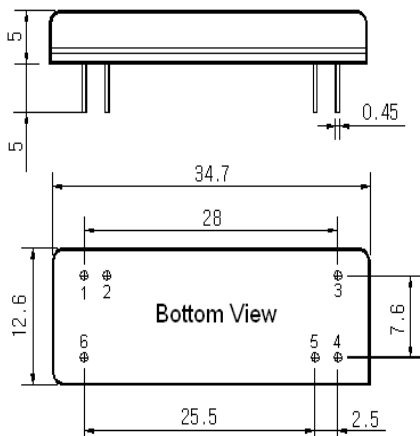
### Typical Performance



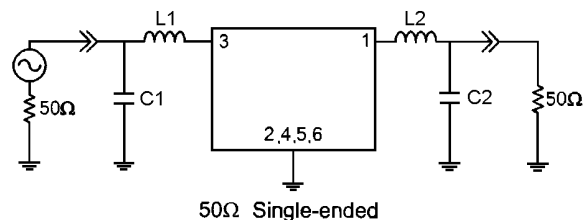
### Specification

Parameter	Unit	Min.	Typ.	Max.
Center Frequency	MHz	75.92	76.00	76.08
Insertion Loss	dB	-	22.50	25.00
1dB Bandwidth	MHz	-	5.84	-
3dB Bandwidth	MHz	5.90	5.99	-
20dB Bandwidth	MHz	-	6.45	6.50
40dB Bandwidth	MHz	-	6.65	-
Passband Ripple	dB	-	0.60	1.00
Group Delay Variation	nsec	-	110	200
Absolute Delay	µsec	-	4.17	-
Ultimate Attenuation	dB	50	53	-
Substrate Material	-	YZ-LiNbO <sub>3</sub>		
Temperature Coefficient	ppm/°C	-94		

### Package Dimension



### Matching Configuration



L1=L2=47nH, C1=C2=20pF  
 Source / Load Impedance = 50Ω  
 Ambient Temperature = 25°C

Rev0. 071203

