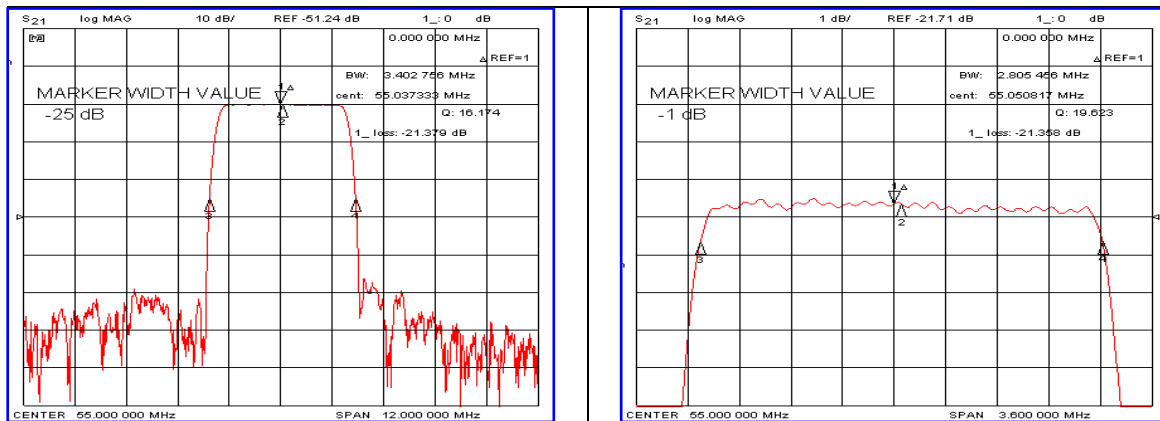


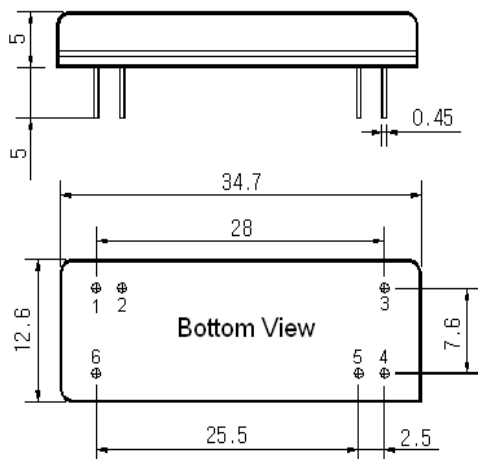
Typical Performance



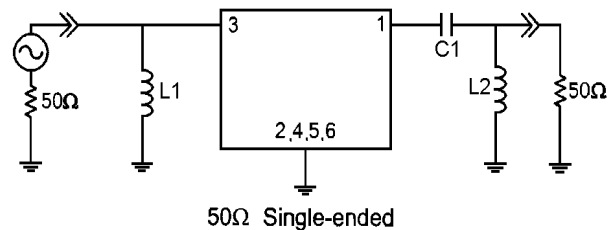
Specification

Parameter	Unit	Min.	Typ.	Max.
Center Frequency	MHz	54.90	55.00	55.10
Insertion Loss	dB	-	21.50	24.00
1dB Bandwidth	MHz	2.60	2.80	-
25dB Bandwidth	MHz	-	3.40	3.50
40dB Bandwidth	MHz	-	3.52	-
Passband Ripple($\Delta F_c \pm 1.3\text{MHz}$)	dB	-	0.50	1.50
Group Delay Variation($\Delta F_c \pm 1.3\text{MHz}$)	nsec	-	200	300
Absolute Delay	usec	-	4.17	-
Ultimate Attenuation	dB	40	45	-
Substrate Material	-	112-LiTaO ₃		
Temperature Coefficient	ppm/ $^{\circ}\text{C}$	-20		

Package Dimension



Matching Configuration



L1=56nH, L2=120nH, C1=150pF
 Source / Load Impedance = 50Ω
 Ambient Temperature = 25°C

Rev.0 100716

