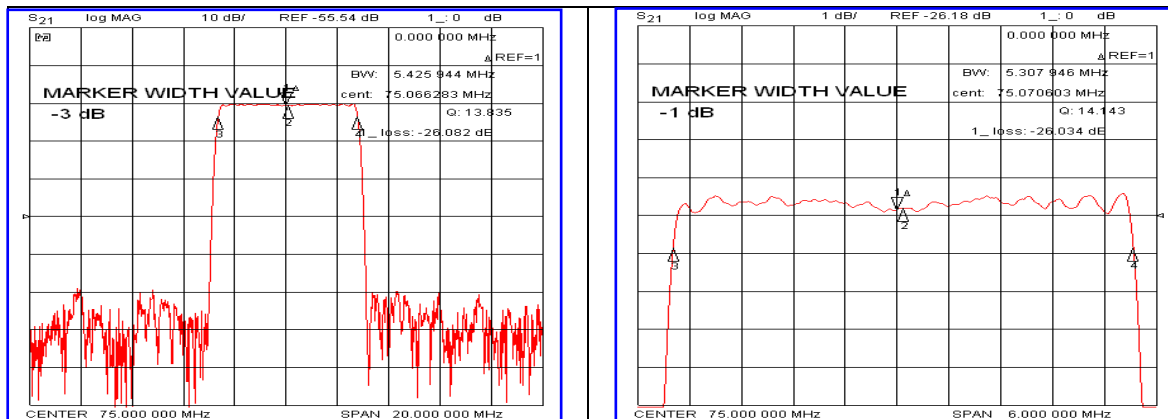


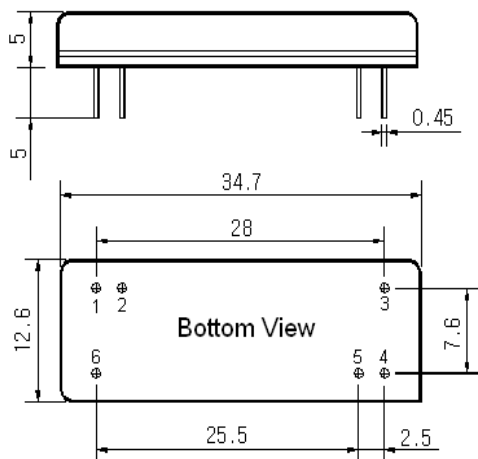
### Typical Performance



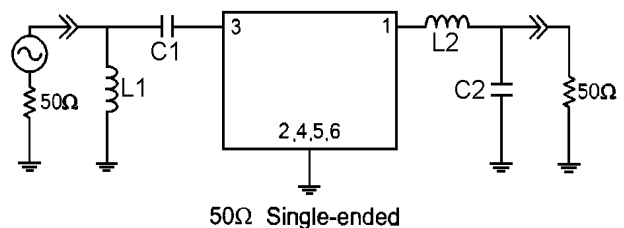
### Specification

Parameter	Unit	Min.	Typ.	Max.
Center Frequency	MHz	74.90	75.00	75.10
Insertion Loss	dB	-	26.03	28.00
1dB Bandwidth	MHz	5.10	5.30	-
25dB Bandwidth	MHz	-	5.88	6.00
40dB Bandwidth	MHz	-	6.05	-
Passband Ripple ( $\Delta F_c \pm 2.5\text{MHz}$ )	dB	-	0.65	1.20
Group Delay Variation ( $\Delta F_c \pm 2.5\text{MHz}$ )	nsec	-	250	350
Absolute Delay	usec	-	4.05	-
Ultimate Attenuation	dB	42	47	-
Substrate Material	-	112-LiTaO <sub>3</sub>		
Temperature Coefficient	ppm/°C	-20		

### Package Dimension



### Matching Configuration



L1=27nH, L2=47nH, C1=300pF, C2=91pF  
 Source / Load Impedance = 50Ω  
 Ambient Temperature = 25°C

Rev.0 101004

