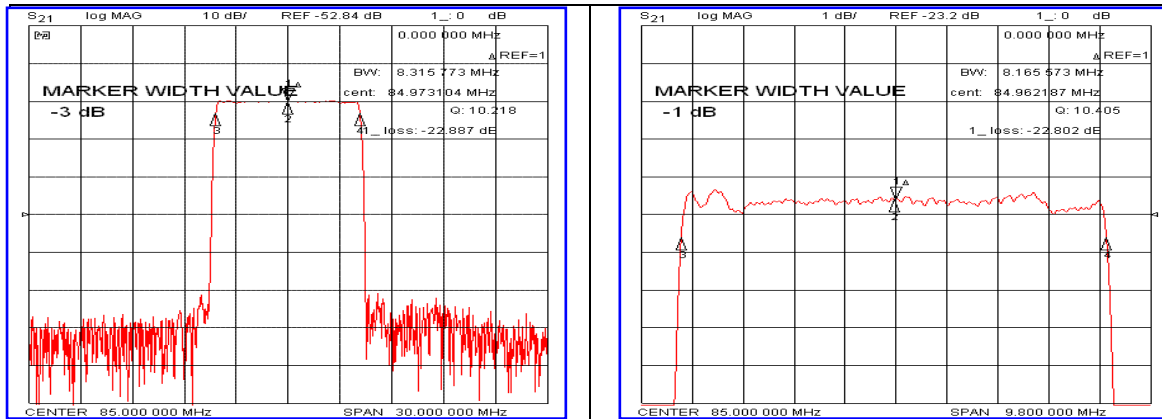


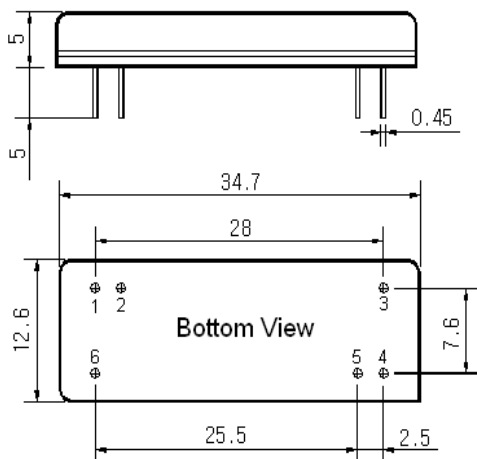
Typical Performance



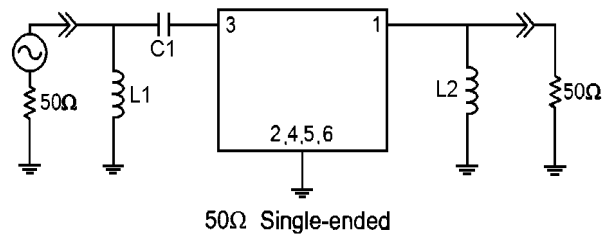
Specification

Parameter	Unit	Min.	Typ.	Max.
Center Frequency	MHz	84.90	85.00	85.10
Insertion Loss	dB	-	22.00	24.00
1dB Bandwidth	MHz	8.00	8.16	-
25dB Bandwidth	MHz	-	8.80	8.90
40dB Bandwidth	MHz	-	8.94	-
Passband Ripple($\Delta F_c \pm 3.8\text{MHz}$)	dB	-	0.75	1.20
Group Delay Variation($\Delta F_c \pm 3.8\text{MHz}$)	nsec	-	100	200
Absolute Delay	usec	-	4.43	-
Ultimate Attenuation	dB	45	50	-
Substrate Material	-	Yz-LiNbO ₃		
Temperature Coefficient	ppm/°C	-94		

Package Dimension



Matching Configuration



L1=270nH, L2=270nH, C1=300pF
 Source / Load Impedance = 50Ω
 Ambient Temperature = 25°C

Rev.0 101004

