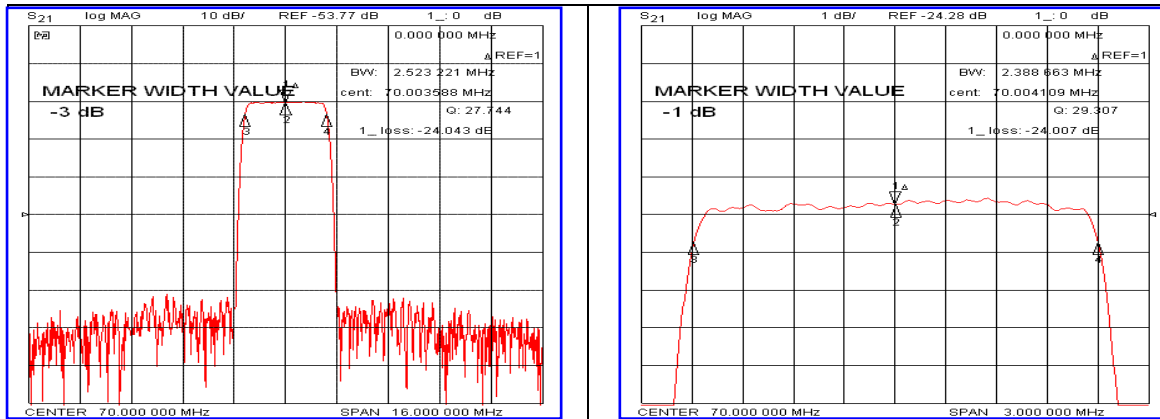


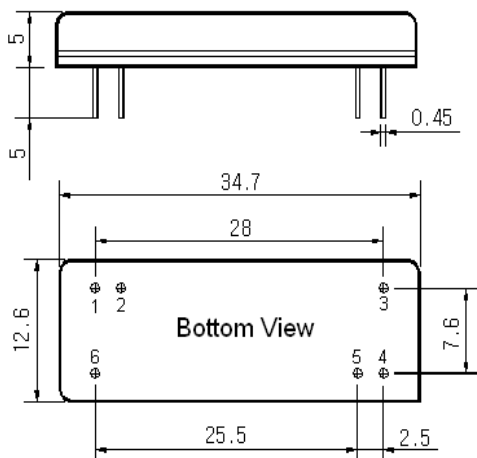
Typical Performance



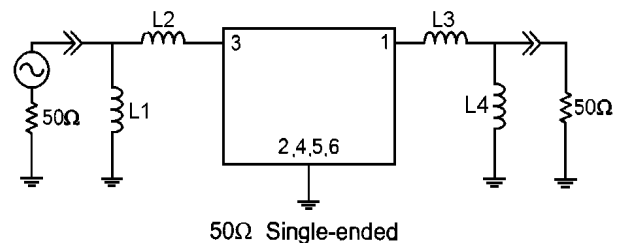
Specification

Parameter	Unit	Min.	Typ.	Max.
Center Frequency	MHz	69.92	70.00	70.08
Insertion Loss	dB	-	24.50	26.50
1dB Bandwidth	MHz	-	2.38	-
3dB Bandwidth	MHz	2.45	2.52	-
40dB Bandwidth	MHz	-	3.06	3.20
Passband Ripple	dB	-	0.50	1.00
Group Delay Variation	nsec	-	140	250
Absolute Delay	usec	-	4.32	-
Ultimate Attenuation	dB	45	50	-
Substrate Material	-	Quartz		
Temperature Coefficient	ppm/°C	-0.03		

Package Dimension



Matching Configuration



L1=47nH, L2=120nH, L3=150nH, L4=47nH
Source / Load Impedance = 50Ω
Ambient Temperature = 25°C

Rev.1 101020

