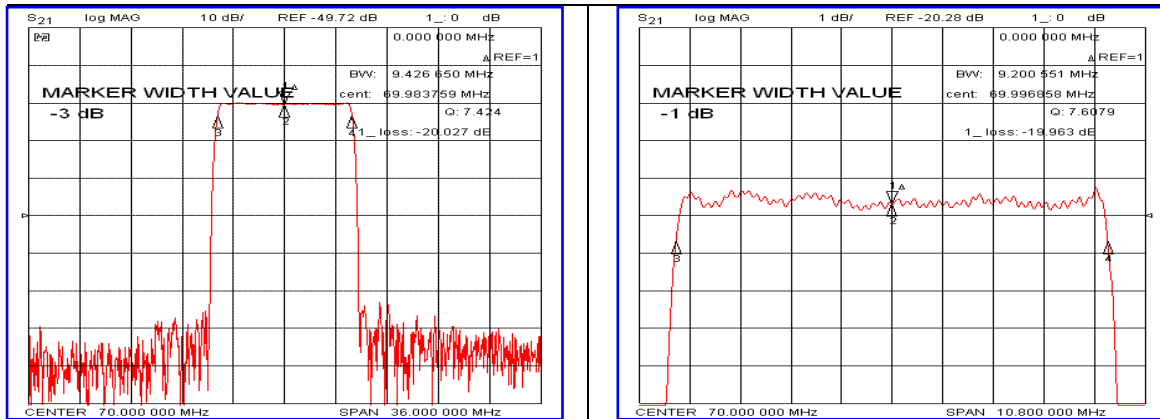


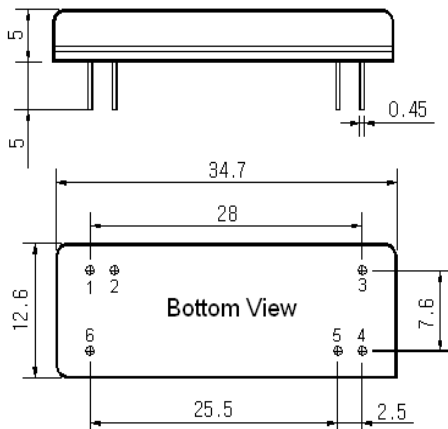
Typical Performance



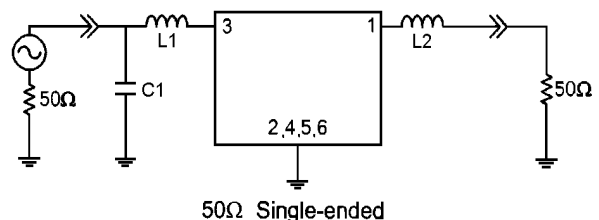
Specification

Parameter	Unit	Min.	Typ.	Max.
Center Frequency	MHz	-	70.00	-
Insertion Loss	dB	-	20.50	23.50
1dB Bandwidth	MHz	9.10	9.20	-
3dB Bandwidth	MHz	-	9.42	-
35dB Bandwidth	MHz	-	10.32	10.40
40dB Bandwidth	MHz	-	10.37	-
Passband Ripple($F_c \pm 4.375\text{MHz}$)	dB	-	0.65	1.00
Group Delay Variation($F_c \pm 4.375\text{MHz}$)	nsec	-	100	200
Absolute Delay	usec	-	2.85	-
Ultimate Attenuation	dB	50	54	-
Substrate Material	-	Yz-LiNbO ₃		
Temperature Coefficient	ppm/°C	-94		

Package Dimension



Matching Configuration



L1=150nH, L2=150nH, C1=62pF
 Source / Load Impedance = 50Ω
 Ambient Temperature = 25°C

Rev.0 100812

