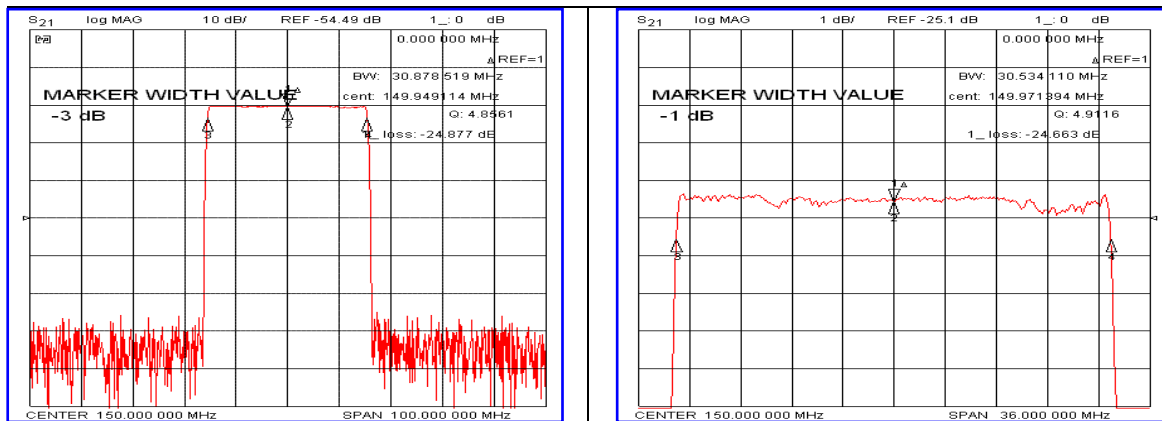


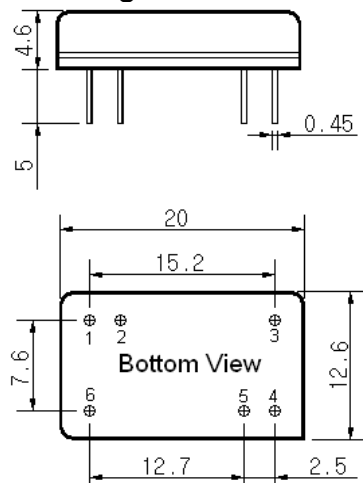
Typical Performance



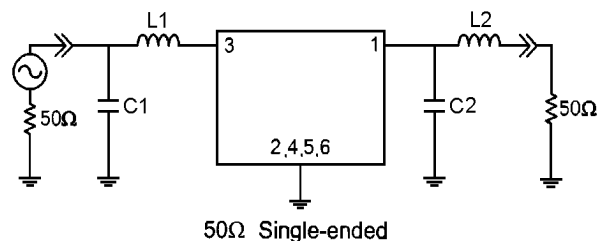
Specification

Parameter	Unit	Min.	Typ.	Max.
Center Frequency	MHz	149.85	150.00	151.15
Insertion Loss	dB	-	24.80	26.50
1dB Bandwidth	MHz	30.40	30.53	-
3dB Bandwidth	MHz	-	30.87	-
20dB Bandwidth	MHz	-	31.90	32.00
Passband Ripple	dB	-	0.58	1.00
Group Delay Variation	nsec	-	30	50
Absolute Delay	µsec	-	1.97	-
Ultimate Attenuation	dB	45	53	-
Substrate Material	-	128-LiNbO ₃		
Temperature Coefficient	ppm/°C	-72		

Package Dimension



Matching Configuration



L1=56nH, L2=47nH, C1=33pF, C2=3pF
 Source / Load Impedance = 50Ω
 Ambient Temperature = 25°C

Rev0. 100803

