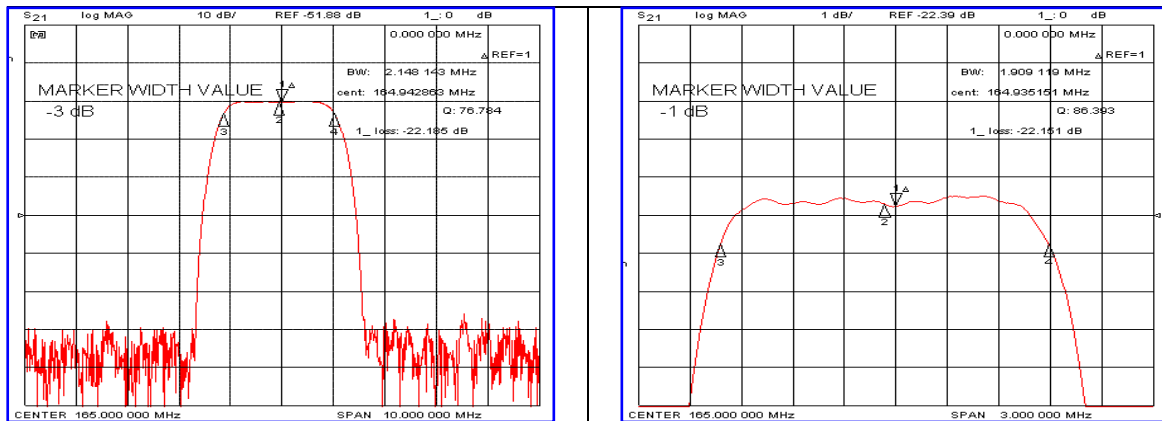


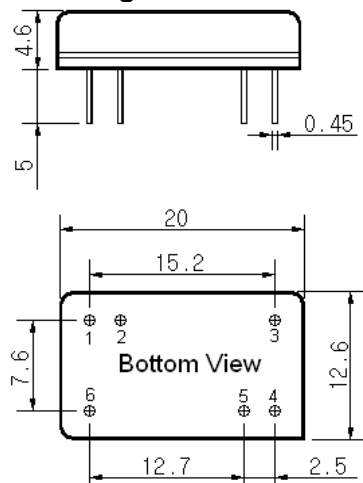
Typical Performance



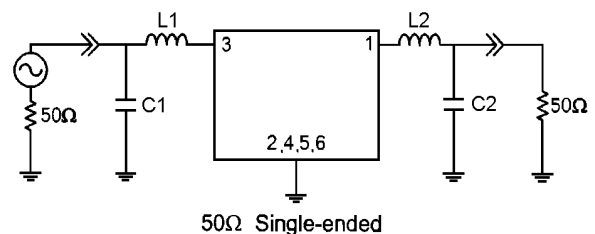
Specification

| Parameter | Unit | Min. | Typ. | Max. |
|-------------------------|--------|--------|--------|--------|
| Center Frequency | MHz | 164.85 | 165.00 | 165.15 |
| Insertion Loss | dB | - | 22.20 | 24.00 |
| 1dB Bandwidth | MHz | - | 1.90 | - |
| 3dB Bandwidth | MHz | 2.00 | 2.14 | - |
| 40dB Bandwidth | MHz | - | 3.10 | 3.20 |
| Passband Ripple | dB | - | 0.40 | 1.00 |
| Group Delay Variation | nsec | - | 100 | 200 |
| Absolute Delay | μsec | - | 2.29 | - |
| Ultimate Attenuation | dB | 50 | 55 | - |
| Substrate Material | - | Quartz | | |
| Temperature Coefficient | ppm/°C | -0.03 | | |

Package Dimension



Matching Configuration



L1=22nH, L2=22nH, C1=56pF, C2=47pF
 Source / Load Impedance = 50Ω
 Ambient Temperature = 25°C

Rev0. 100906

