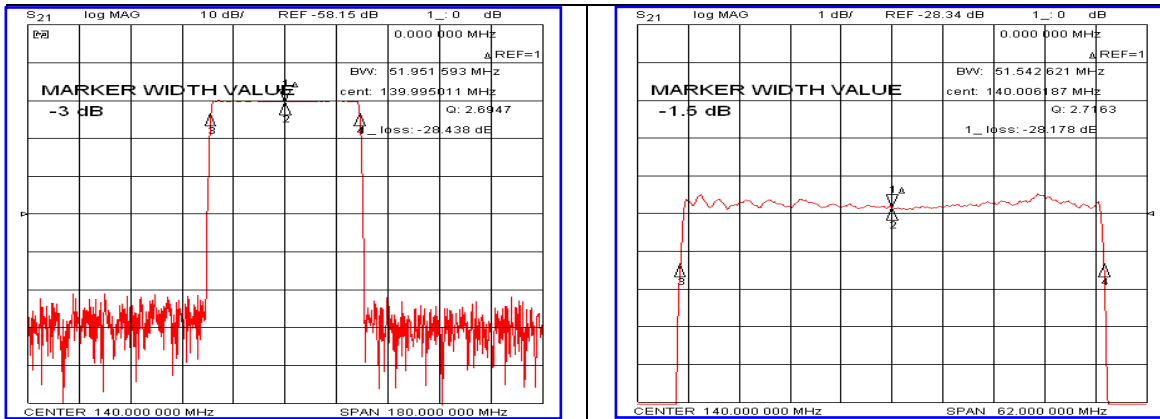


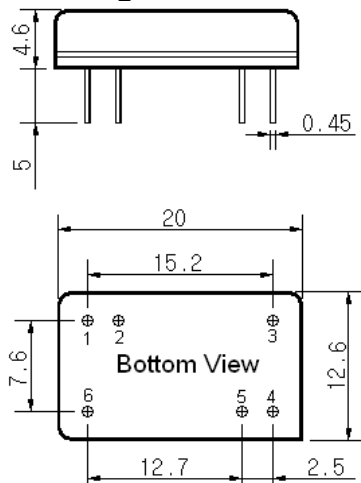
Typical Performance



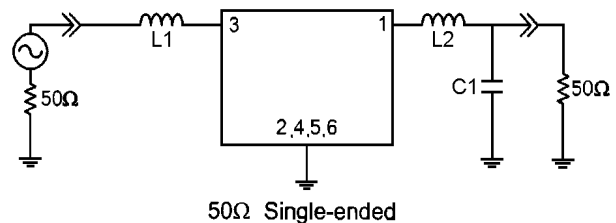
Specification

Parameter	Unit	Min.	Typ.	Max.
Center Frequency	MHz	139.80	140.00	140.20
Insertion Loss	dB	-	28.50	30.00
1.5dB Bandwidth	MHz	51.00	51.54	-
3dB Bandwidth	MHz	-	51.95	-
40dB Bandwidth	MHz	-	54.75	55.00
Passband Ripple	dB	-	0.55	1.00
Group Delay Variation	nsec	-	20	50
Absolute Delay	μsec	-	1.34	-
Ultimate Attenuation	dB	45	52	-
Substrate Material	-	128-LiNbO ₃		
Temperature Coefficient	ppm/°C	-72		

Package Dimension



Matching Configuration



L1=56nH, L2=68nH, C1=10pF
 Source / Load Impedance = 50Ω
 Ambient Temperature = 25°C

Rev0. 101021

