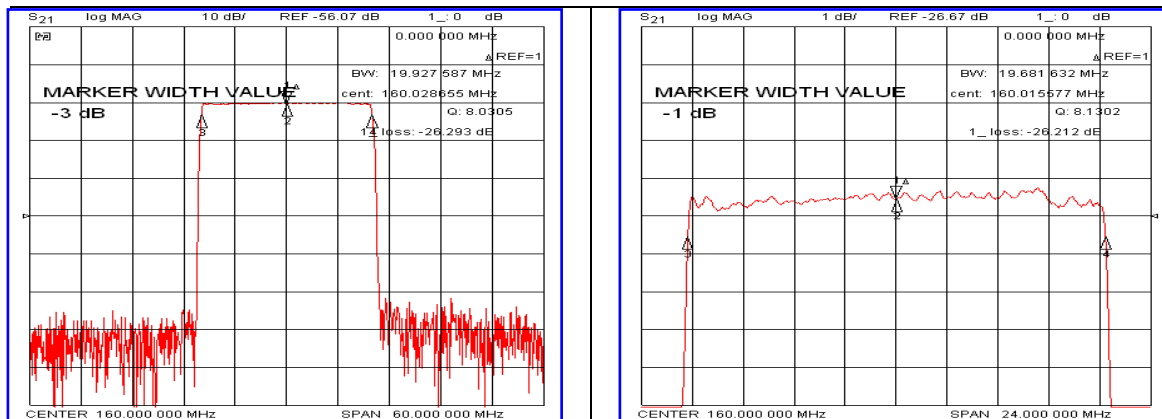


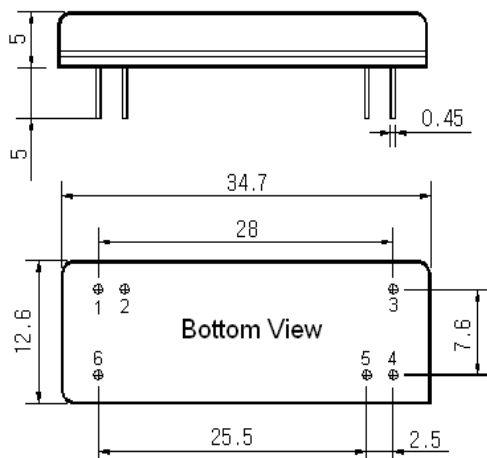
Typical Performance



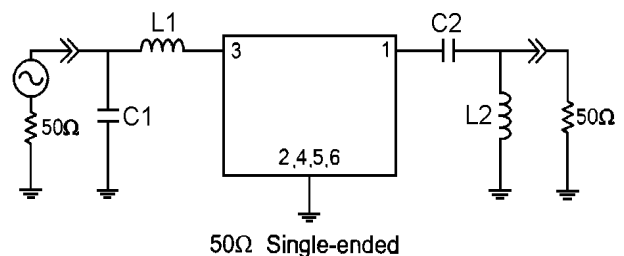
Specification

Parameter	Unit	Min.	Typ.	Max.
Center Frequency	MHz	159.85	160.00	160.15
Insertion Loss	dB	-	26.50	28.00
1dB Bandwidth	MHz	-	19.68	-
3dB Bandwidth	MHz	19.80	19.92	8.80
40dB Bandwidth	MHz	-	20.93	21.00
Passband Ripple	dB	-	0.80	1.20
Group Delay Variation	nsec	-	50	100
Absolute Delay	usec	-	2.83	-
Ultimate Attenuation	dB	48	53	-
Substrate Material	-	Yz-LiNbO ₃		
Temperature Coefficient	ppm/°C	-94		

Package Dimension



Matching Configuration



L1=10nH, L2=82nH, C1=9pF, C2=200pF
 Source / Load Impedance = 50Ω
 Ambient Temperature = 25°C

Rev.0 101108

