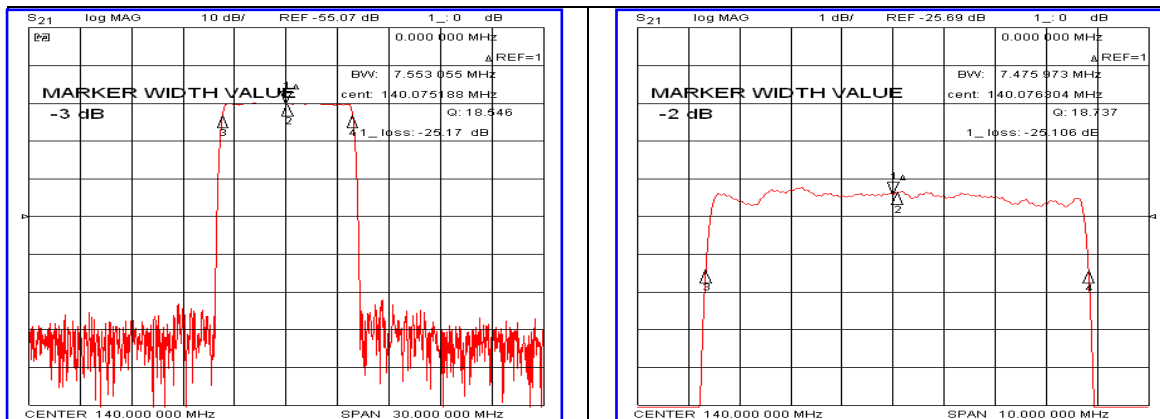


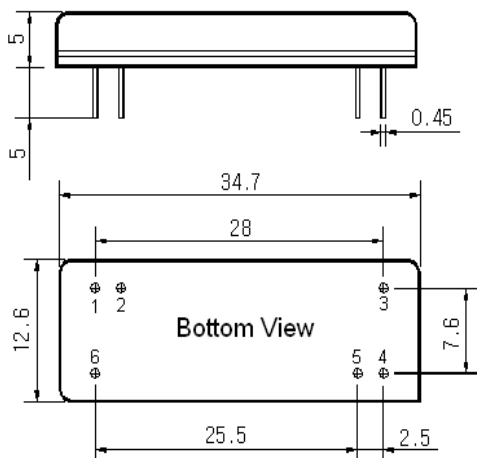
Typical Performance



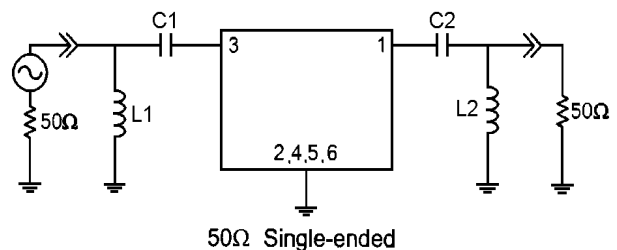
Specification

Parameter	Unit	Min.	Typ.	Max.
Center Frequency	MHz	139.90	140.00	140.10
Insertion Loss	dB	-	25.20	27.00
2dB Bandwidth	MHz	7.35	7.47	-
25dB Bandwidth	MHz	-	8.16	8.25
40dB Bandwidth	MHz	-	8.35	8.45
Passband Ripple	dB	-	0.55	1.00
Group Delay Variation	nsec	-	50	100
Absolute Delay	usec	-	4.32	-
Ultimate Attenuation	dB	50	53	-
Substrate Material	-	112-LiTaO ₃		
Temperature Coefficient	ppm/°C	-20		

Package Dimension



Matching Configuration



L1=39nH, L2=39nH, C1=75pF, C2=75pF
 Source / Load Impedance = 50Ω
 Ambient Temperature = 25°C

Rev.0 101101

