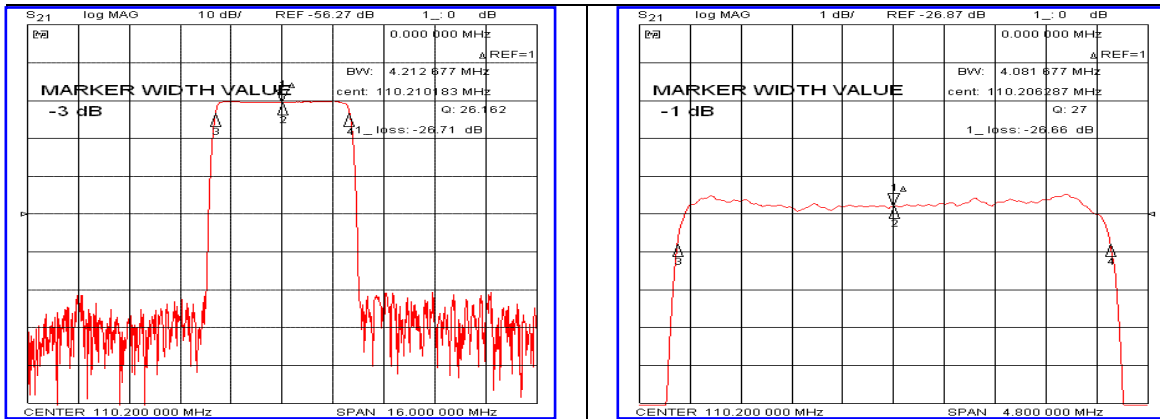


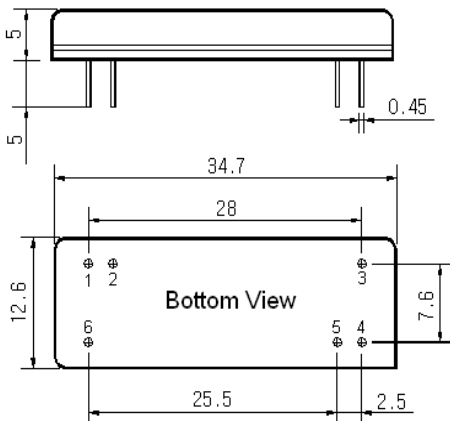
### Typical Performance



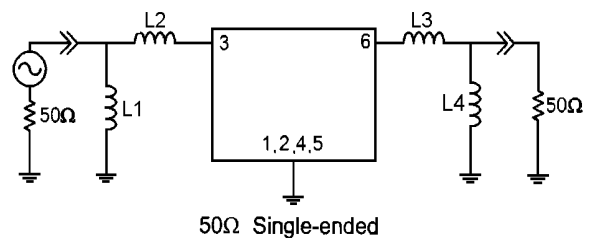
### Specification

Parameter	Unit	Min.	Typ.	Max.
Center Frequency	MHz	-	110.20	-
Insertion Loss	dB	-	26.70	28.50
1dB Bandwidth	MHz	-	4.08	-
3dB Bandwidth	MHz	4.00	4.21	-
40dB Bandwidth	MHz	-	4.73	4.85
Passband Ripple( $F_c \pm 1.92\text{MHz}$ )	dB	-	0.60	1.20
Relative Attenuation( $F_c \pm 2.4\text{MHz}$ )	dB	-	48	-
Group Delay Variation( $F_c \pm 1.92\text{MHz}$ )	nsec	-	200	350
Absolute Delay	µsec	-	4.65	-
Ultimate Attenuation	dB	45	50	-
Substrate Material	-	Quartz		
Temperature Coefficient	ppm/°C	-0.03		

### Package Dimension



### Matching Configuration



L1=27nH, L2=33nH, L3=33nH, L4=18nH  
 Source / Load Impedance = 50Ω  
 Ambient Temperature = 25°C

Rev.0 101119

