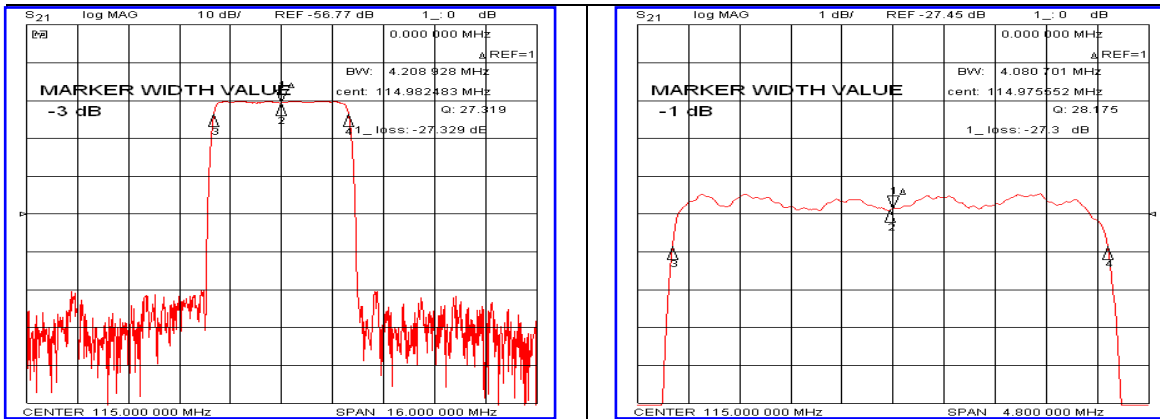


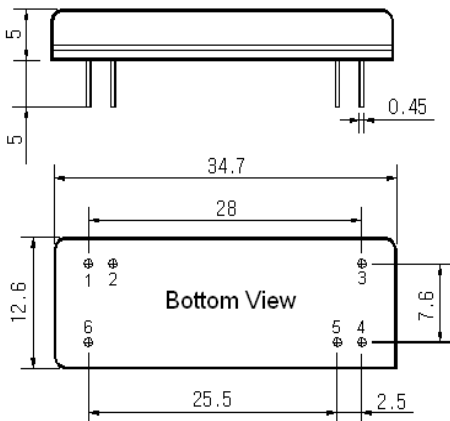
Typical Performance



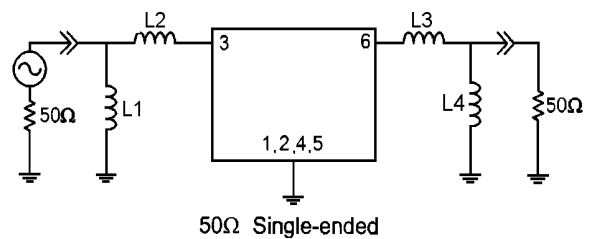
Specification

| Parameter | Unit | Min. | Typ. | Max. |
|---|--------|--------|--------|-------|
| Center Frequency | MHz | - | 115.00 | - |
| Insertion Loss | dB | - | 27.40 | 29.00 |
| 1dB Bandwidth | MHz | - | 4.08 | - |
| 3dB Bandwidth | MHz | 4.00 | 4.20 | - |
| 40dB Bandwidth | MHz | - | 4.73 | 4.85 |
| Passband Ripple($F_c \pm 1.92\text{MHz}$) | dB | - | 0.70 | 1.20 |
| Relative Attenuation($F_c \pm 2.4\text{MHz}$) | dB | - | 50 | - |
| Group Delay Variation($F_c \pm 1.92\text{MHz}$) | nsec | - | 200 | 350 |
| Absolute Delay | µsec | - | 4.71 | - |
| Ultimate Attenuation | dB | 45 | 50 | - |
| Substrate Material | - | Quartz | | |
| Temperature Coefficient | ppm/°C | -0.03 | | |

Package Dimension



Matching Configuration



L1=18nH, L2=27nH, L3=27nH, L4=18nH
 Source / Load Impedance = 50Ω
 Ambient Temperature = 25°C

Rev.0 101119

