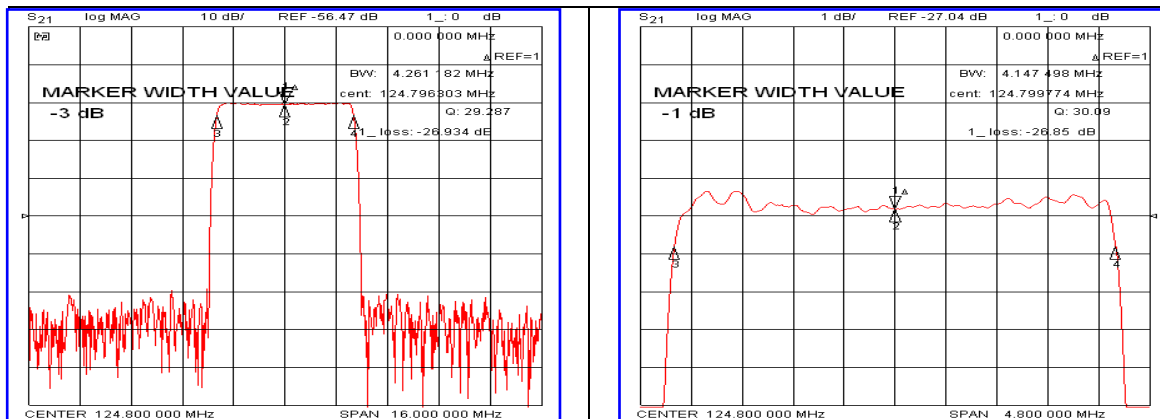


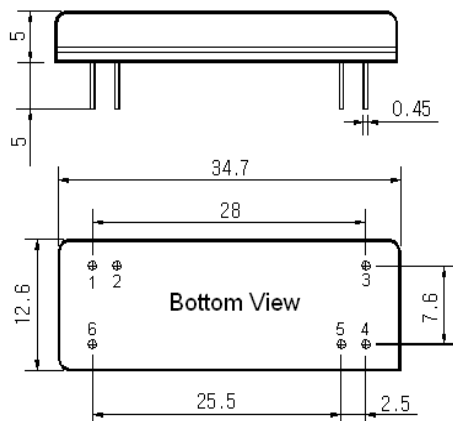
Typical Performance



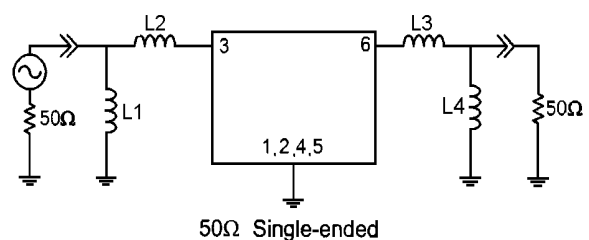
Specification

Parameter	Unit	Min.	Typ.	Max.
Center Frequency	MHz	-	124.80	-
Insertion Loss	dB	-	27.00	29.00
1dB Bandwidth	MHz	-	4.14	-
3dB Bandwidth	MHz	4.00	4.26	-
40dB Bandwidth	MHz	-	4.73	4.85
Passband Ripple($F_c \pm 1.92$ MHz)	dB	-	0.65	1.20
Relative Attenuation($F_c \pm 2.4$ MHz)	dB	-	50	-
Group Delay Variation($F_c \pm 1.92$ MHz)	nsec	-	200	350
Absolute Delay	µsec	-	4.26	-
Ultimate Attenuation	dB	45	50	-
Substrate Material	-	Quartz		
Temperature Coefficient	ppm/°C	-0.03		

Package Dimension



Matching Configuration



L1=22nH, L2=18nH, L3=18nH, L4=15nH
 Source / Load Impedance = 50Ω
 Ambient Temperature = 25°C

Rev.0 101119

