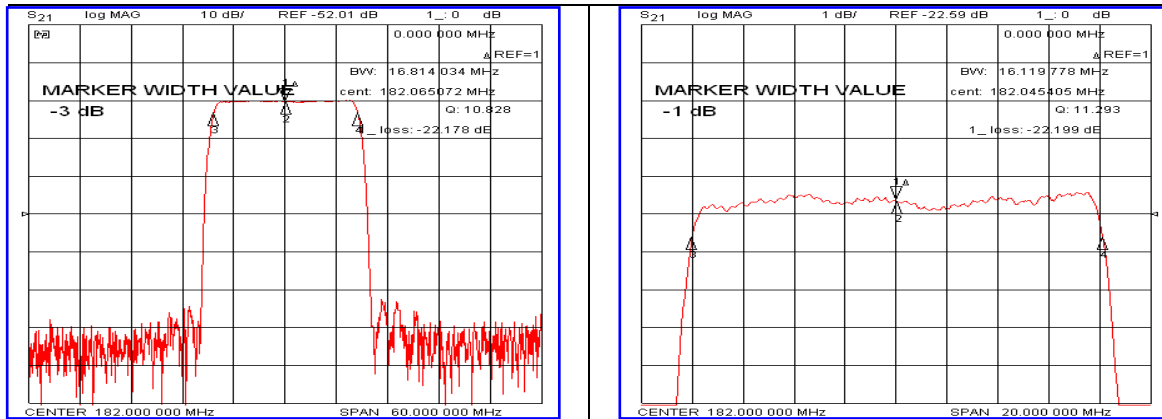


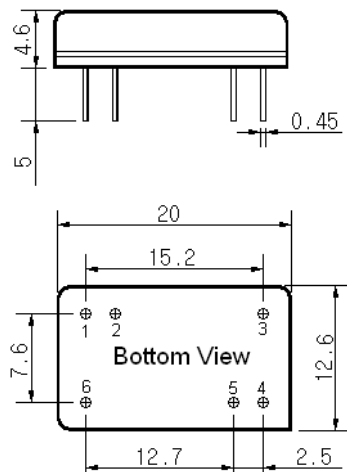
### Typical Performance



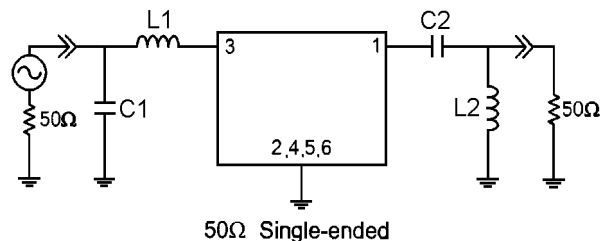
### Specification

Parameter	Unit	Min.	Typ.	Max.
Center Frequency	MHz	-	182.00	-
Insertion Loss	dB	-	22.20	25.00
1dB Bandwidth	MHz	16.00	16.11	-
10dB Bandwidth	MHz	-	17.88	18.00
20dB Bandwidth	MHz	-	18.60	18.70
40dB Bandwidth	MHz	-	19.39	19.50
Passband Ripple( $F_c \pm 7.47$ MHz)	dB	-	0.50	1.00
Group Delay Variation( $F_c \pm 7.47$ MHz)	nsec	-	40	80
Absolute Delay	$\mu$ sec	-	1.33	-
Ultimate Attenuation	dB	45	50	-
Substrate Material	-	128-LiNbO <sub>3</sub>		
Temperature Coefficient	ppm/ $^{\circ}$ C	-72		

### Package Dimension



### Matching Configuration



L1=5.6nH, L2=82nH, C1=27pF, C2=100pF  
 Source / Load Impedance = 50 $\Omega$   
 Ambient Temperature = 25 $^{\circ}$ C

Rev.0 120131

