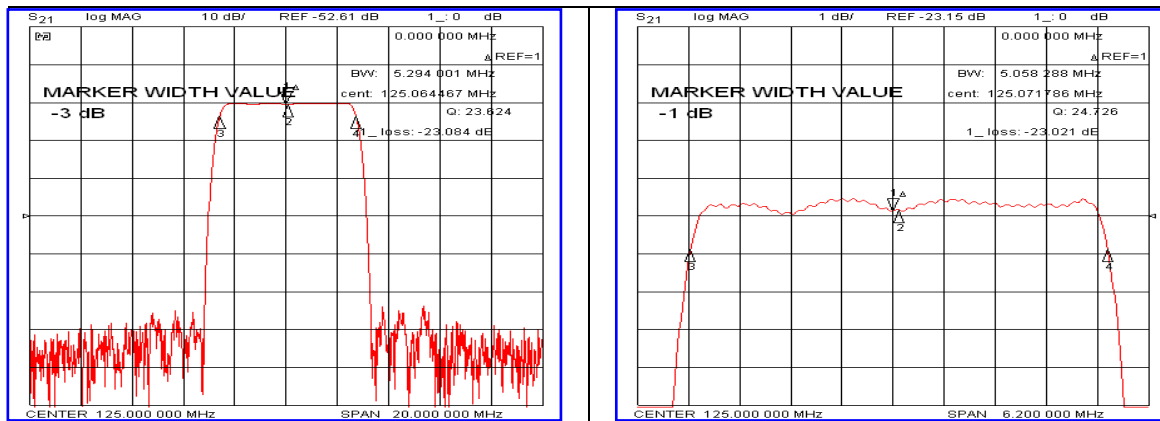


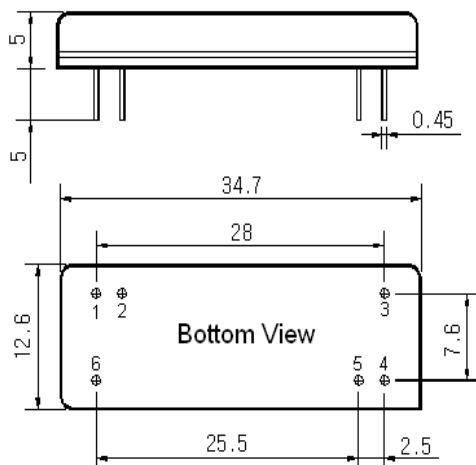
Typical Performance



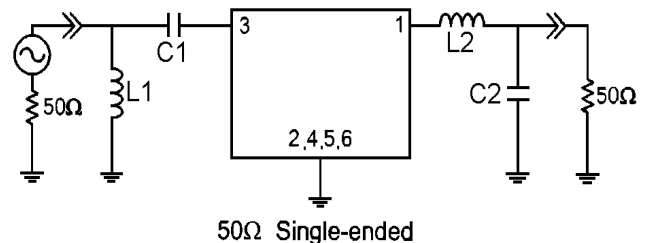
Specification

Parameter	Unit	Min.	Typ.	Max.
Center Frequency	MHz	124.85	125.00	125.15
Insertion Loss	dB	-	23.20	25.00
1dB Bandwidth	MHz	4.90	5.05	-
3dB Bandwidth	MHz	-	5.29	-
40dB Bandwidth	MHz	-	6.30	6.40
Passband Ripple	dB	-	0.55	1.00
Absolute Delay	usec	-	3.74	-
Group Delay Variation	nsec	-	80	150
Ultimate Attenuation	dB	50	55	-
Substrate Material	-	112-LiTaO ₃		
Temperature Coefficient	ppm/°C	-20		

Package Dimension



Matching Configuration



L1=39nH, L2=18nH, C1=160pF, C2=39pF
 Source / Load Impedance = 50Ω
 Ambient Temperature = 25°C

Rev.0 100929

