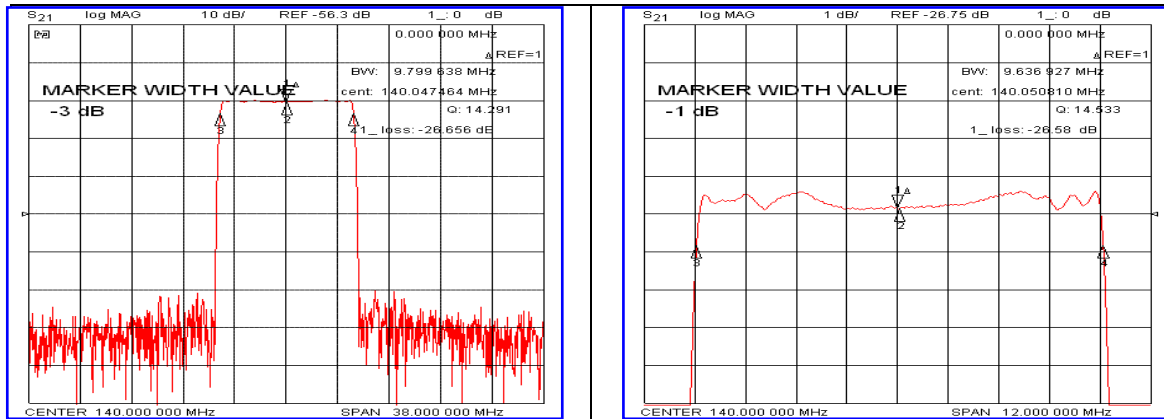


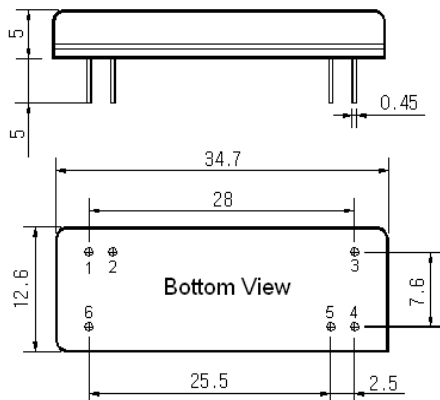
Typical Performance



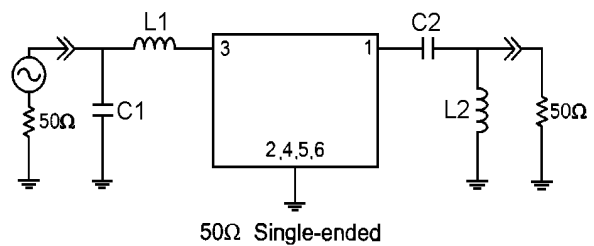
Specification

Parameter	Unit	Min.	Typ.	Max.
Center Frequency	MHz	-	140.00	-
Insertion Loss	dB	-	26.80	28.50
1dB Bandwidth	MHz	-	9.63	-
3dB Bandwidth	MHz	9.75	9.79	-
40dB Bandwidth	MHz	-	10.52	-
50dB Bandwidth	MHz	-	10.60	10.80
Passband Ripple	dB	-	0.60	1.20
Group Delay Variation	nsec	-	60	120
Absolute Delay	usec	-	4.27	-
Out of Band gain				
Fc ± 5.3MHz	dB	35	44	-
Fc ± 5.5MHz	dB	45	52	-
Fc ± 5.9MHz	dB	50	53	-
Fc ± 9.9MHz	dB	53	56	-
Temperature Coefficient	ppm/°C		-18	

Package Dimension



Matching Configuration



L1=33nH, L2=33nH, C1=47pF, C2=300pF
 Source / Load Impedance = 50Ω
 Ambient Temperature = 25°C

Rev.0 120224

