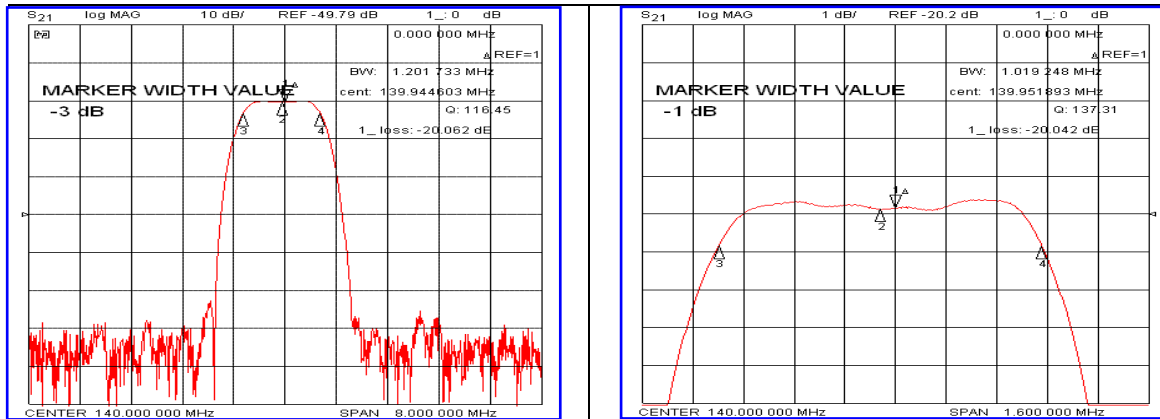


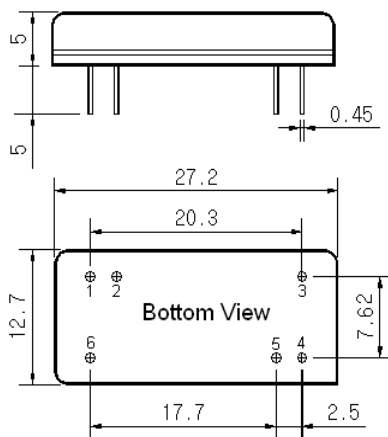
Typical Performance



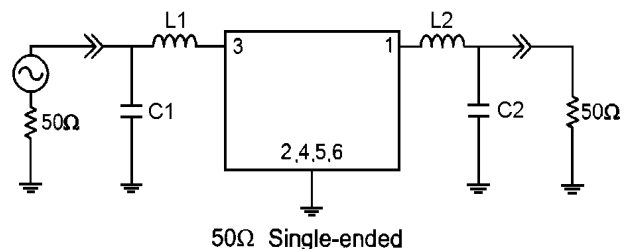
Specification

Parameter	Unit	Min.	Typ.	Max.
Center Frequency	MHz	-	140.00	-
Insertion Loss	dB	-	20.00	24.00
1dB Bandwidth	MHz	-	1.01	-
3dB Bandwidth	MHz	1.10	1.20	1.30
40dB Bandwidth	MHz	-	2.00	2.20
Passband Ripple($F_c \pm 0.4\text{MHz}$)	dB	-	0.45	1.00
Group Delay Variation($F_c \pm 0.4\text{MHz}$)	nsec	-	150	400
Absolute Delay	μsec	-	2.88	3.20
Ultimate Attenuation	dB	50	55	-
Substrate Material	-	Quartz		
Temperature Coefficient	ppm/ $^{\circ}\text{C}$	-0.032		

Package Dimension



Matching Configuration



L1=33nH, L2=39nH, C1=33pF, C2=24pF
 Source / Load Impedance = 50 Ω
 Ambient Temperature = 25 $^{\circ}\text{C}$

Rev.0 120227

