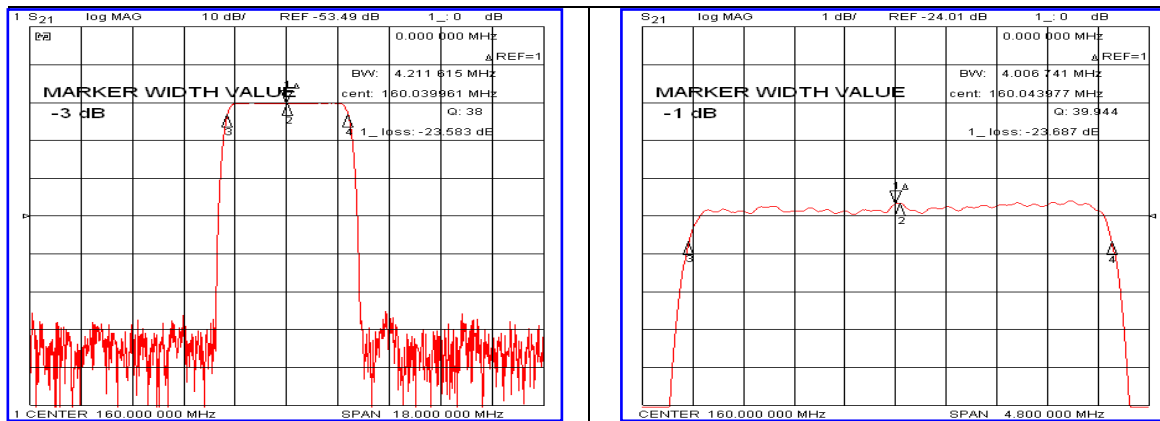


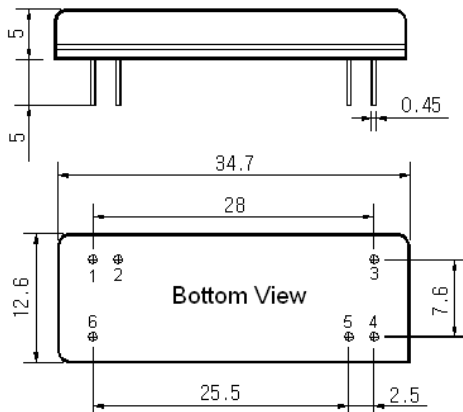
Typical Performance



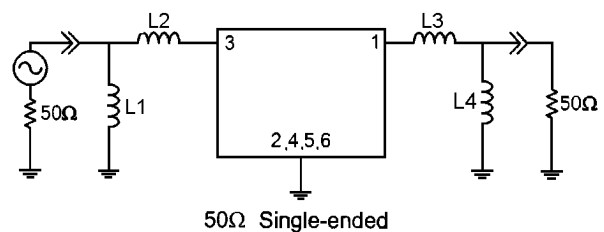
Specification

Parameter	Unit	Min.	Typ.	Max.
Center Frequency	MHz	-	160.00	-
Insertion Loss	dB	-	23.60	26.00
1dB Bandwidth	MHz	3.84	4.00	-
3dB Bandwidth	MHz	4.10	4.21	-
40dB Bandwidth	MHz	-	4.95	5.00
50dB Bandwidth	MHz	-	5.00	5.20
Passband Ripple($F_c \pm 1.92\text{MHz}$)	dB	-	0.50	1.00
Group Delay Variation($F_c \pm 1.92\text{MHz}$)	nsec	-	150	300
Absolute Delay	µsec	-	3.10	-
Ultimate Attenuation	dB	50	55	-
Substrate Material	-	Quartz		
Temperature Coefficient	ppm/°C	-0.032		

Package Dimension



Matching Configuration



L1=12nH, L2=5.6nH, L3=6.8nH, L4=18nH
 Source / Load Impedance = 50Ω
 Ambient Temperature = 25°C

Rev.0 120227

