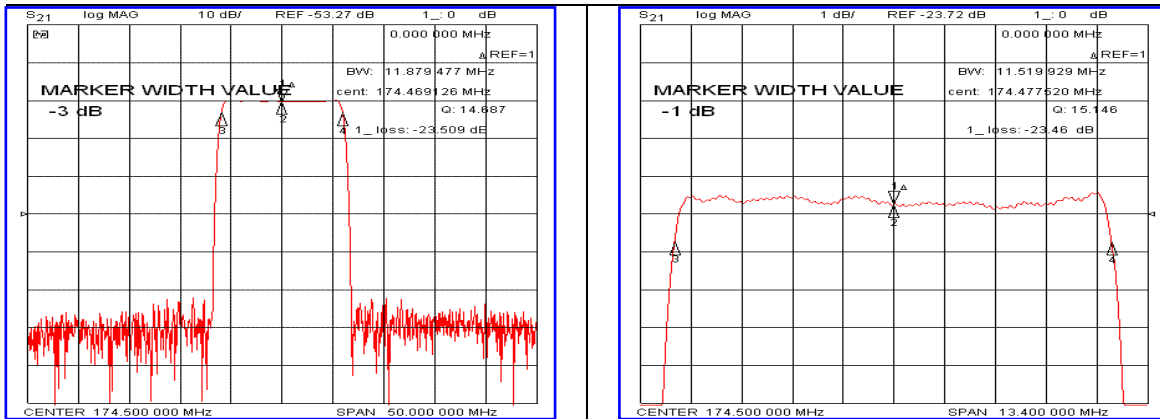


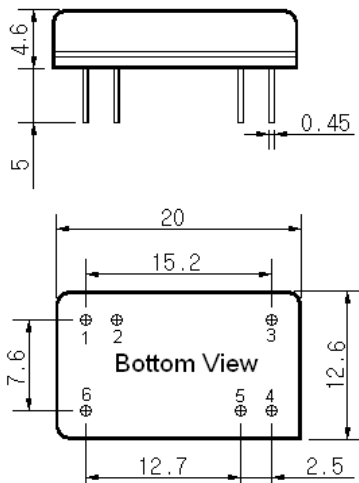
### Typical Performance



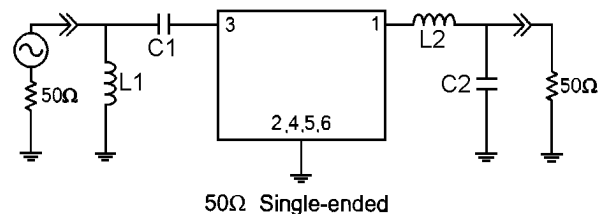
### Specification

Parameter	Unit	Min.	Typ.	Max.
Center Frequency	MHz	174.30	174.50	174.70
Insertion Loss	dB	-	23.60	25.50
1dB Bandwidth	MHz	11.30	11.51	-
20dB Bandwidth	MHz	-	12.92	-
25dB Bandwidth	MHz	-	13.10	-
50dB Bandwidth	MHz	-	13.55	13.75
Passband Ripple	dB	-	0.55	1.00
Group Delay Variation	nsec	-	50	100
Absolute Delay	usec	-	2.80	-
Ultimate Attenuation	dB	50	53	-
Substrate Material	-	112-LiTaO <sub>3</sub>		
Temperature Coefficient	ppm/°C	-20		

### Package Dimension



### Matching Configuration



L1=22nH, L2=33nH, C1=82pF, C2=27pF  
 Source / Load Impedance = 50Ω  
 Ambient Temperature = 25°C

Rev.0 120504

