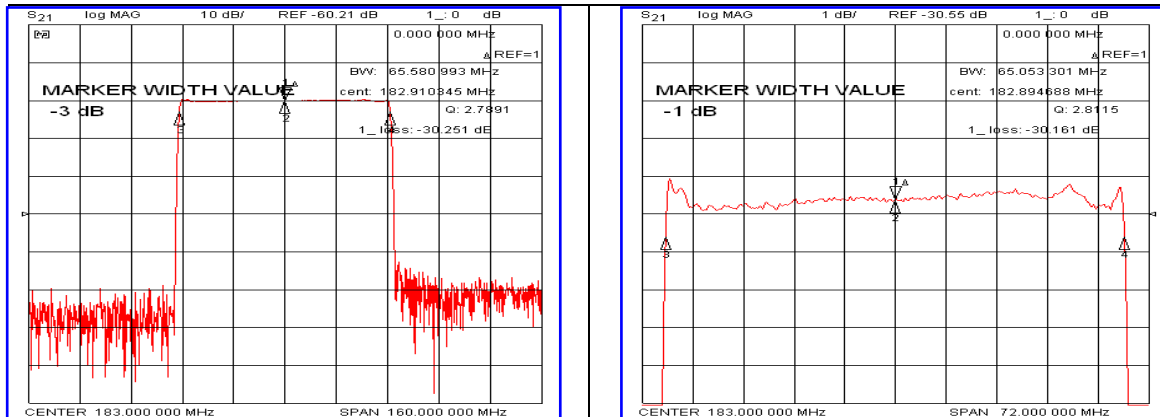


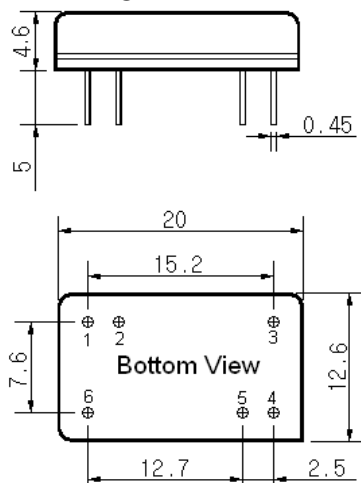
Typical Performance



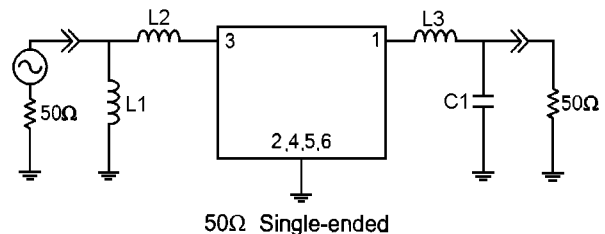
Specification

Parameter	Unit	Min.	Typ.	Max.
Center Frequency	MHz	182.80	183.00	183.20
Insertion Loss	dB	-	30.50	32.50
1dB Bandwidth	MHz	64.70	65.05	-
15dB Bandwidth	MHz	-	66.96	-
25dB Bandwidth	MHz	-	67.58	-
40dB Bandwidth	MHz	-	68.25	68.60
Passband Ripple	dB	-	0.85	1.30
Group Delay Variation	nsec	-	30	50
Absolute Delay	usec	-	1.41	-
Ultimate Attenuation	dB	40	45	-
Substrate Material	-	128-LiNbO ₃		
Temperature Coefficient	ppm/°C	-72		

Package Dimension



Matching Configuration



L1=33nH, L2=2.7nH, L3=39nH, C1=15pF
 Source / Load Impedance = 50Ω
 Ambient Temperature = 25°C

Rev.0 120504

