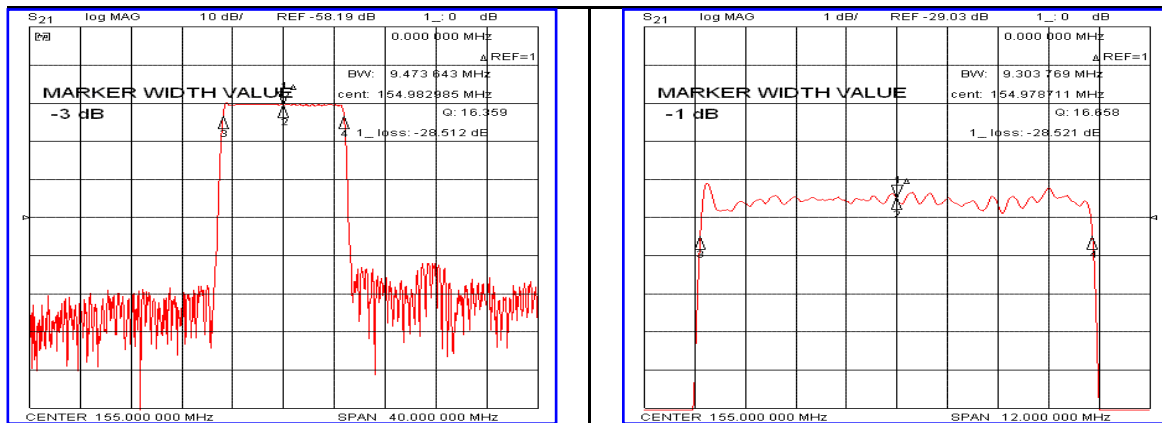


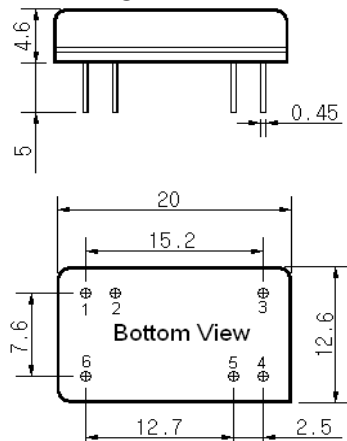
Typical Performance



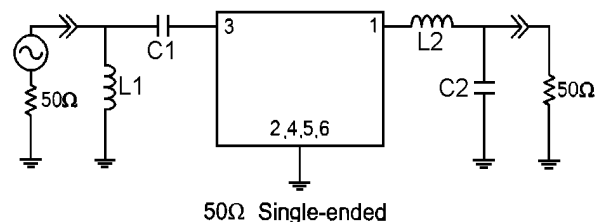
Specification

Parameter	Unit	Min.	Typ.	Max.
Center Frequency	MHz	-	155.00	-
Insertion Loss	dB	-	28.50	29.50
1dB Bandwidth	MHz	9.10	9.30	-
3dB Bandwidth	MHz	-	9.47	-
40dB Bandwidth	MHz	-	10.56	10.70
Passband Ripple($F_c \pm 4.5\text{MHz}$)	dB	-	0.78	1.20
Ultimate Attenuation	dB	40	45	-
Absolute Delay	μsec	-	2.49	-
Relative Attenuation $F_c \pm 4.5\text{M} \pm 0.5\text{MHz}$ Point	dB	-	15	-
Substrate Material	-	112-LiTaO ₃		
Temperature Coefficient	ppm/ $^{\circ}\text{C}$	-20		

Package Dimension



Matching Configuration



L1=18nH, L2=18nH, C1=43pF, C2=82pF
 Source / Load Impedance = 50 Ω
 Ambient Temperature = 25 $^{\circ}\text{C}$

Rev 3. 120419

