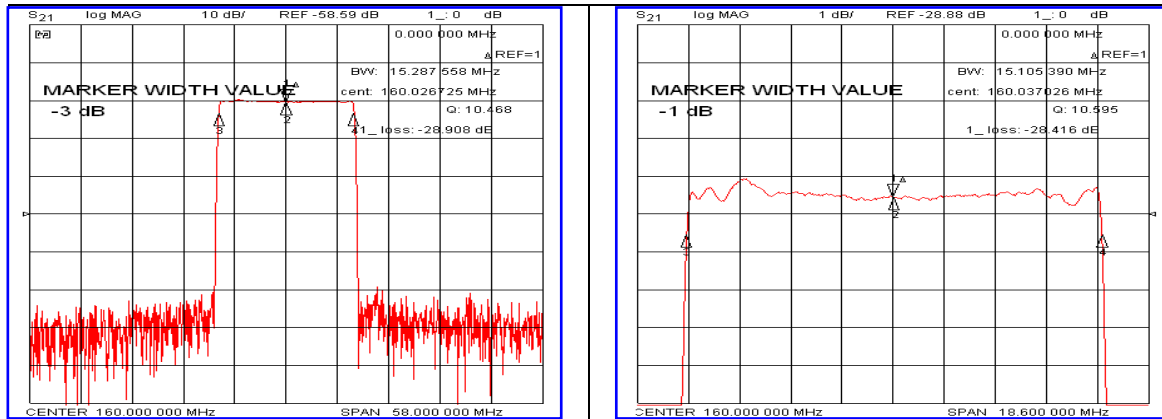


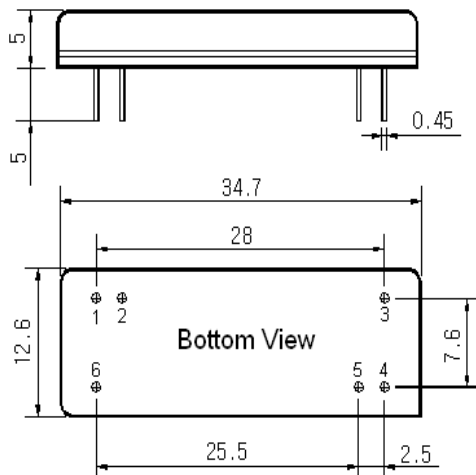
Typical Performance



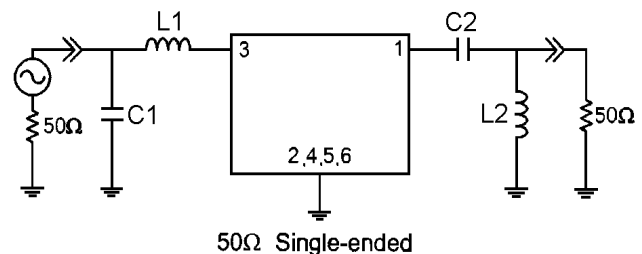
Specification

Parameter	Unit	Min.	Typ.	Max.
Center Frequency	MHz	-	160.00	-
Insertion Loss	dB	-	29.00	31.00
1dB Bandwidth	MHz	15.00	15.10	-
3dB Bandwidth	MHz	-	15.28	-
30dB Bandwidth	MHz	-	15.98	16.10
Passband Ripple($F_c \pm 7.3\text{MHz}$)	dB	-	0.75	1.20
Absolute Delay	usec	-	4.60	-
Ultimate Attenuation	dB	-	48	-
Substrate Material	-	112-LiTaO ₃		
Temperature Coefficient	ppm/°C	-20		

Package Dimension



Matching Configuration



L1=27nH, L2=18nH, C1=43pF, C2=160pF
 Source / Load Impedance = 50Ω
 Ambient Temperature = 25°C

Rev.0 121010

