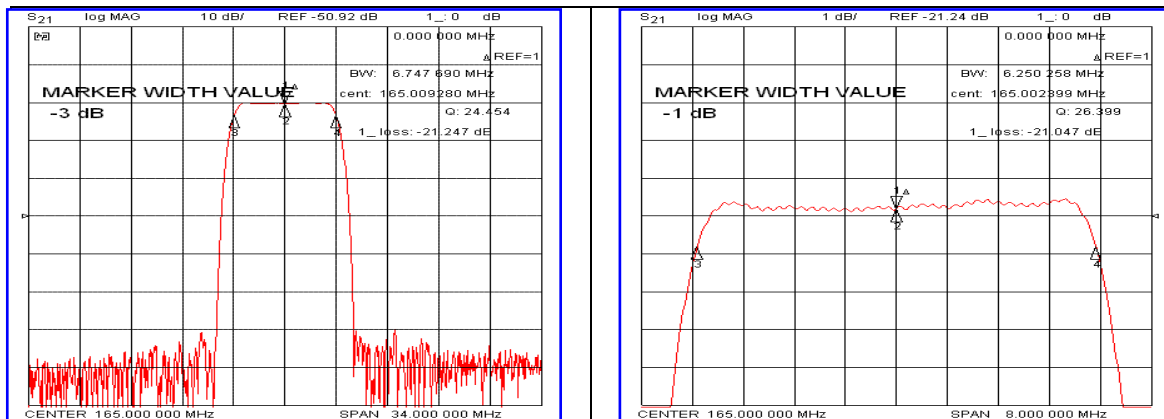


Typical Performance

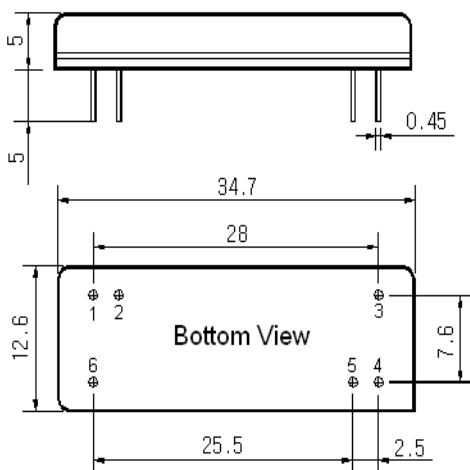


Specification

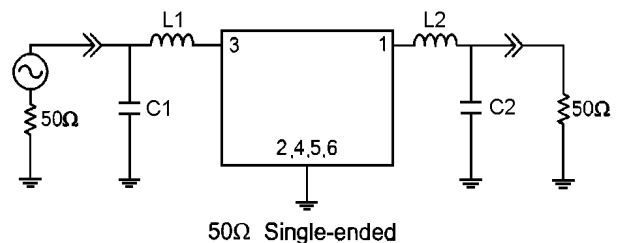
Parameter	Unit	Min.	Typ.	Max.
Center Frequency	MHz	164.85	165.00	165.15
Insertion Loss	dB	-	21.50	23.50
1dB Bandwidth	MHz	6.10	6.25	-
3dB Bandwidth	MHz	-	6.74	-
40dB Bandwidth	MHz	-	8.80	9.00
Passband Ripple	dB	-	0.45	1.00
Group Delay Variation	nsec	-	100	200
Absolute Delay	µsec	-	2.90	-
Ultimate Attenuation	dB	53	58	-
Substrate Material	-	112-LiTaO ₃		
Temperature Coefficient	ppm/°C	-20		

Note : Analyzer Setting – Input Power +10dBm

Package Dimension



Matching Configuration



L1=15nH, L2=15nH, C1=30pF, C2=30pF
 Source / Load Impedance = 50Ω
 Ambient Temperature = 25°C

Rev0. 121120

