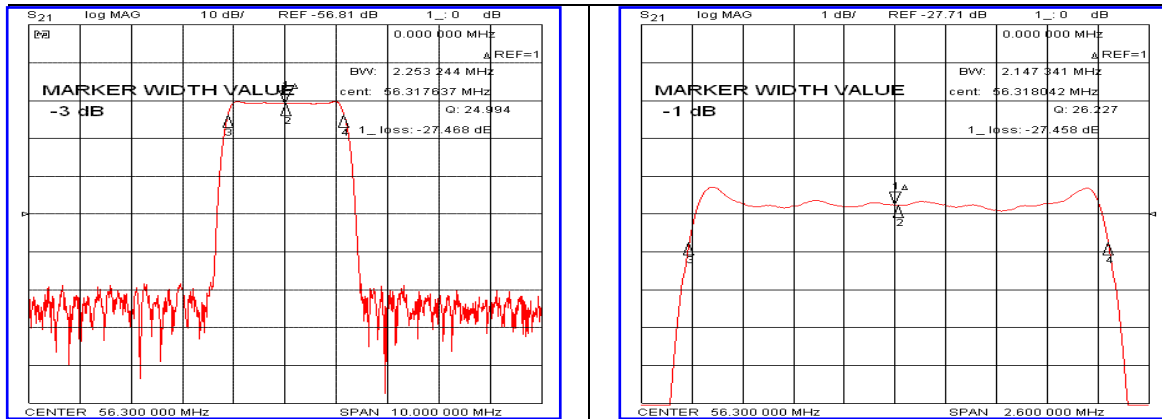


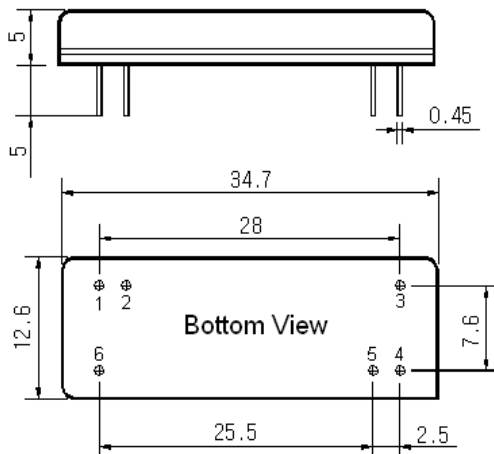
Typical Performance



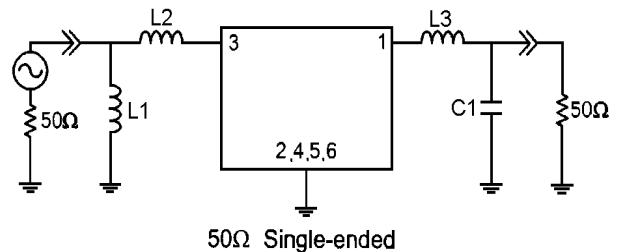
Specification

Parameter	Unit	Min.	Typ.	Max.
Center Frequency	MHz	56.22	56.30	56.38
Insertion Loss	dB	-	27.50	29.00
1dB Bandwidth	MHz	-	2.14	-
3dB Bandwidth	MHz	2.15	2.25	-
40dB Bandwidth	MHz	-	2.80	2.90
Passband Ripple	dB	-	0.65	1.00
Group Delay Variation	nsec	-	150	250
Absolute Delay	usec	-	3.88	-
Ultimate Attenuation	dB	46	48	-
Substrate Material	-	Quartz		
Temperature Coefficient	ppm/°C	-0.03		

Package Dimension



Matching Configuration



L1=180nH, L2=82nH, L3=270nH, C1=47pF
 Source / Load Impedance = 50Ω
 Ambient Temperature = 25°C

Rev.0 110414

