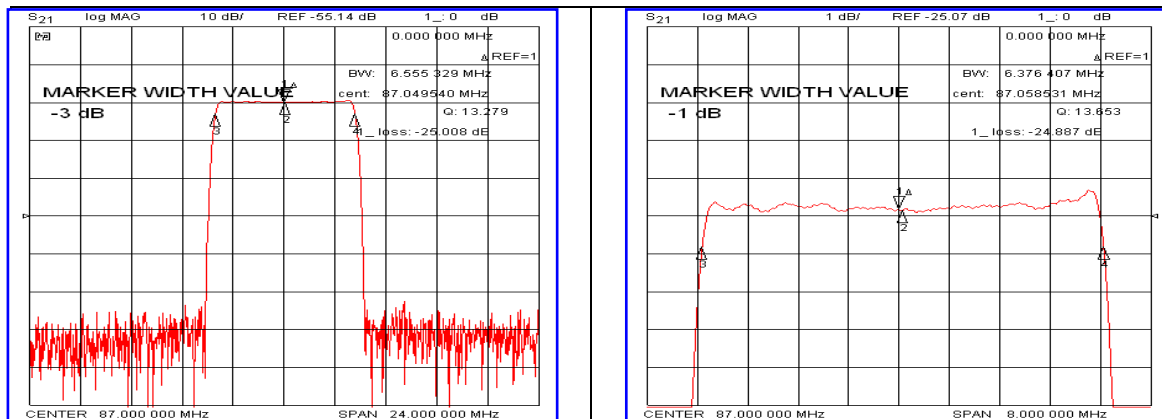


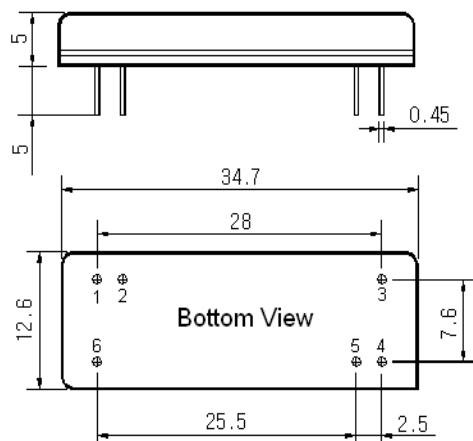
Typical Performance



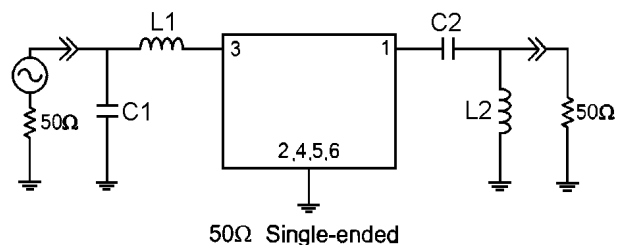
Specification

Parameter	Unit	Min.	Typ.	Max.
Center Frequency	MHz	86.92	87.00	87.08
Insertion Loss	dB	-	25.00	27.00
1dB Bandwidth	MHz	-	6.37	-
3dB Bandwidth	MHz	6.40	6.55	-
40dB Bandwidth	MHz	-	7.35	7.50
Ultimate Attenuation	dB	48	52	-
Passband Ripple	dB	-	0.60	1.00
Group Delay Variation	nsec	-	100	200
Absolute Delay	usec	-	4.50	-
Substrate Material	-	112-LiTaO ₃		
Temperature Coefficient	ppm/°C	-20		

Package Dimension



Matching Configuration



L1=82nH, L2=56nH, C1=62pF, C2=300pF
 Source / Load Impedance = 50Ω
 Ambient Temperature = 25°C

Rev.0 110928

