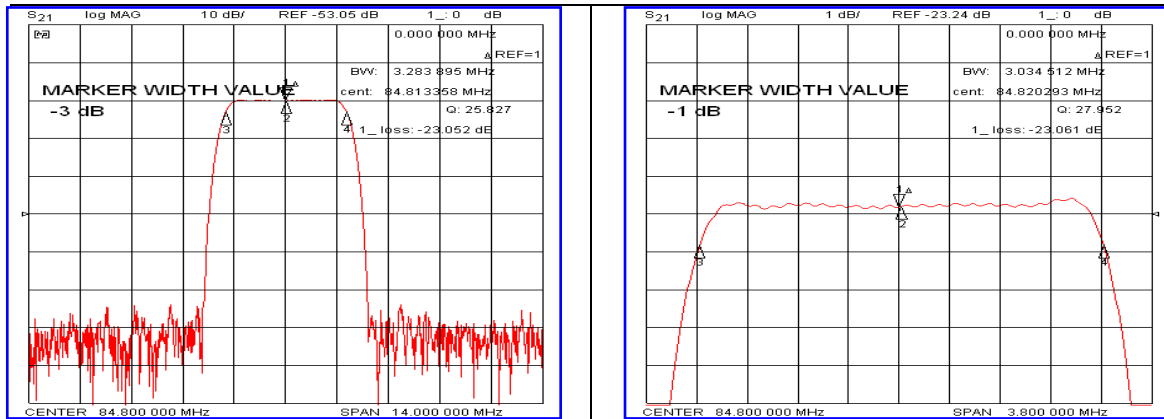


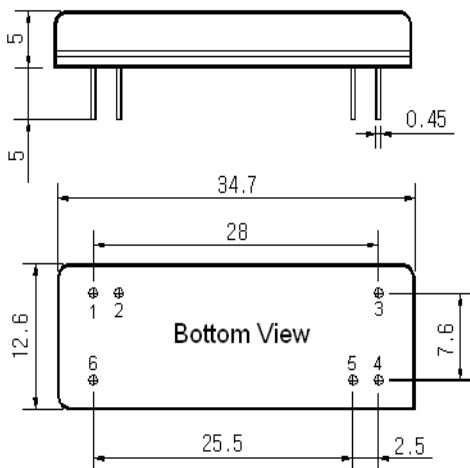
Typical Performance



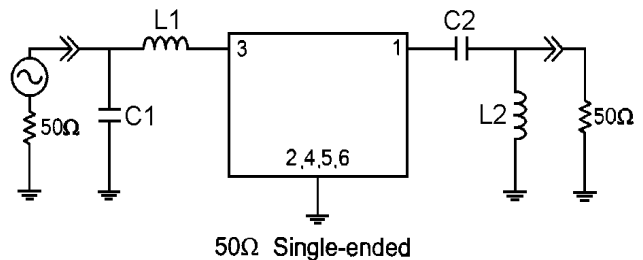
Specification

Parameter	Unit	Min.	Typ.	Max.
Center Frequency	MHz	84.70	84.80	84.90
Insertion Loss	dB	-	23.10	25.00
1dB Bandwidth	MHz	2.80	3.03	-
3dB Bandwidth	MHz	-	3.28	-
40dB Bandwidth	MHz	-	4.35	4.50
Passband Ripple	dB	-	0.40	1.00
Group Delay Variation	nsec	-	100	200
Absolute Delay	µsec	-	3.92	-
Ultimate Attenuation	dB	50	53	-
Substrate Material	-	112-LiTaO ₃		
Temperature Coefficient	ppm/°C	-20		

Package Dimension



Matching Configuration



L1=27nH, L2=120nH, C=18pF, C2=200pF
 Source / Load Impedance = 50Ω
 Ambient Temperature = 25°C

Rev0. 120207

