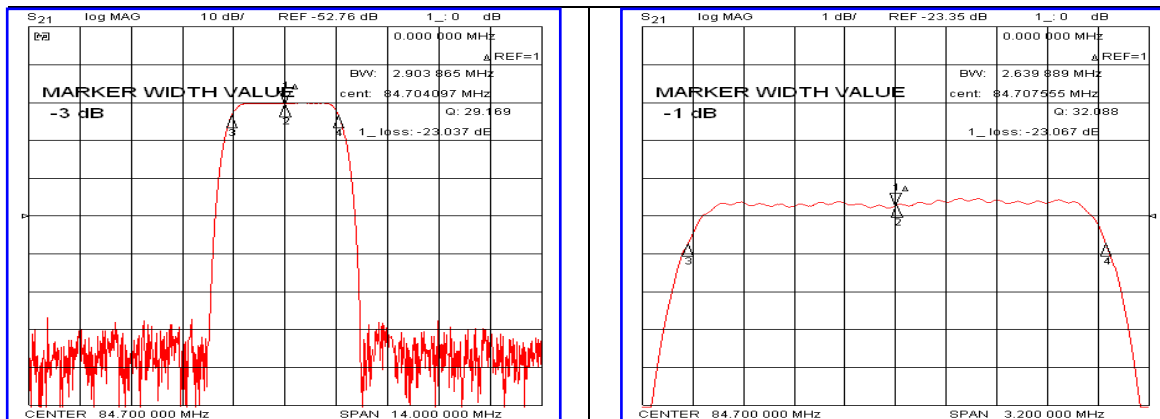


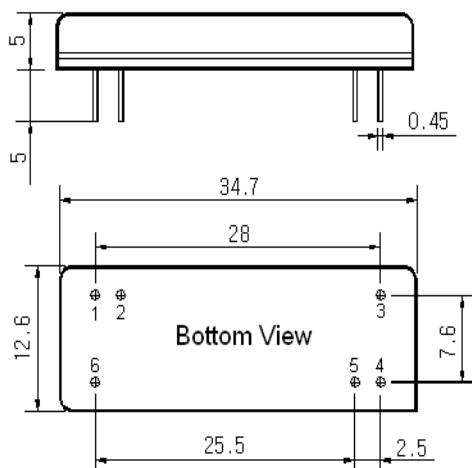
Typical Performance



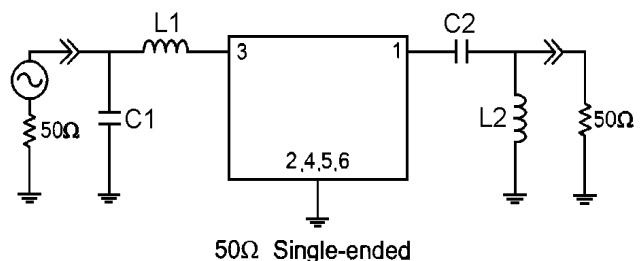
Specification

Parameter	Unit	Min.	Typ.	Max.
Center Frequency	MHz	84.60	84.70	84.80
Insertion Loss	dB	-	23.10	25.00
1dB Bandwidth	MHz	2.40	2.63	-
3dB Bandwidth	MHz	-	2.90	-
40dB Bandwidth	MHz	-	3.96	4.20
Passband Ripple	dB	-	0.40	1.00
Group Delay Variation	nsec	-	100	200
Absolute Delay	µsec	-	4.00	-
Ultimate Attenuation	dB	50	55	-
Substrate Material	-	112-LiTaO ₃		
Temperature Coefficient	ppm/°C	-20		

Package Dimension



Matching Configuration



L1=8.27nH, L2=82nH, C=39pF, C2=300pF
 Source / Load Impedance = 50Ω
 Ambient Temperature = 25°C

Rev0. 120207

