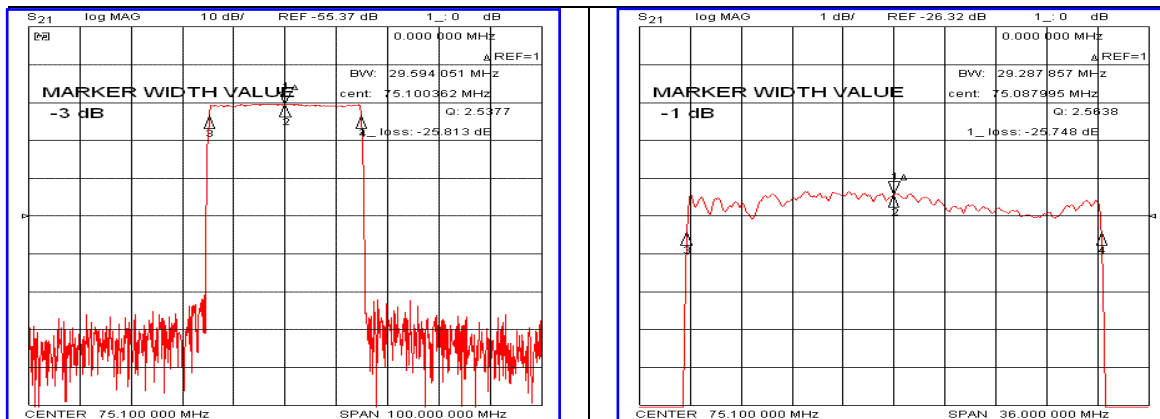


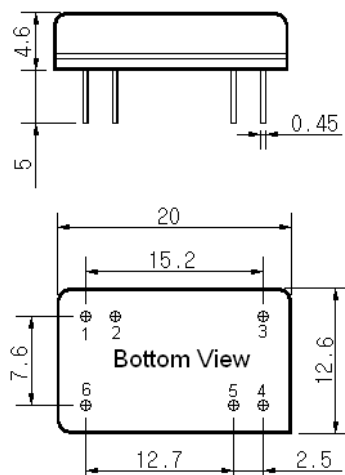
Typical Performance



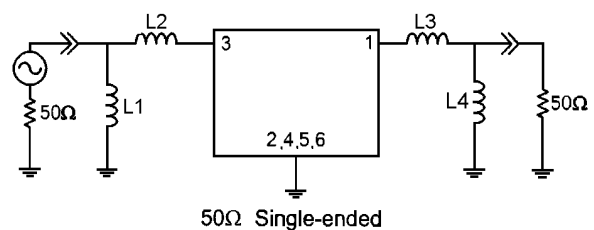
Specification

Parameter	Unit	Min.	Typ.	Max.
Center Frequency	MHz	-	75.10	-
Insertion Loss	dB	-	25.90	27.00
1dB Bandwidth	MHz	29.10	29.28	-
20dB Bandwidth	MHz	-	30.55	-
40dB Bandwidth	MHz	-	30.95	31.20
Passband Ripple($F_c \pm 14.22\text{MHz}$)	dB	-	0.75	1.20
Group Delay Variation($F_c \pm 14.22\text{MHz}$)	nsec	-	50	100
Absolute Delay	μsec	-	2.21	-
Ultimate Attenuation	dB	45	50	-
Substrate Material	-	128-LiNbO ₃		
Temperature Coefficient	ppm/ $^{\circ}\text{C}$	-72		

Package Dimension



Matching Configuration



L1=220nH, L2=120nH, L3=100nH, L4=150nH
 Source / Load Impedance = 50 Ω
 Ambient Temperature = 25 $^{\circ}\text{C}$

Rev.1 121025

