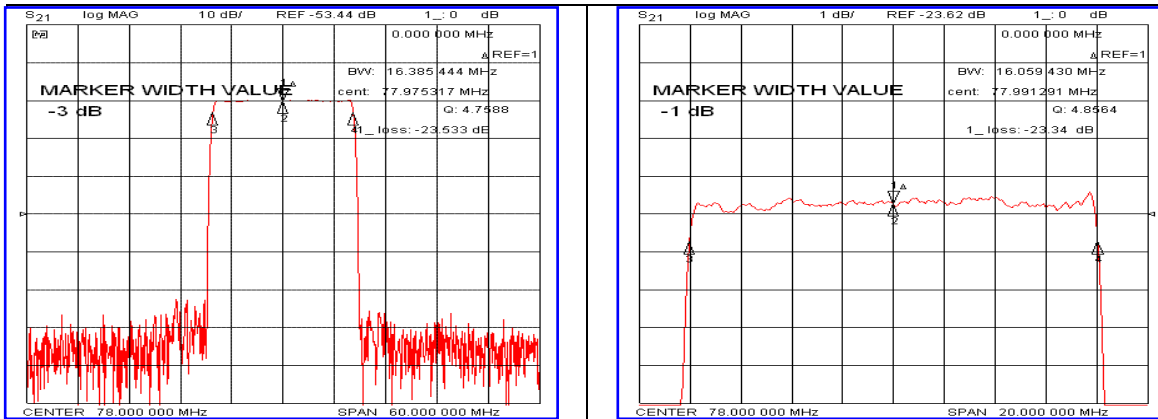


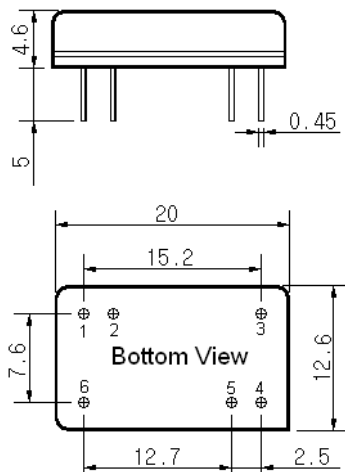
Typical Performance



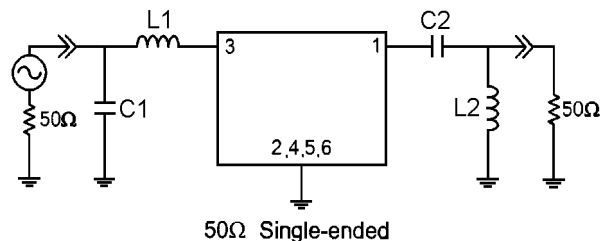
Specification

Parameter	Unit	Min.	Typ.	Max.
Center Frequency	MHz	-	78.00	-
Insertion Loss	dB	-	23.60	25.50
1dB Bandwidth	MHz	15.95	16.05	-
10dB Bandwidth	MHz	-	16.90	17.00
20dB Bandwidth	MHz	-	17.30	17.40
40dB Bandwidth	MHz	-	17.66	17.80
Passband Ripple($F_c \pm 7.47$ MHz)	dB	-	0.45	1.00
Group Delay Variation($F_c \pm 7.47$ MHz)	nsec	-	40	80
Absolute Delay	μ sec	-	2.20	-
Ultimate Attenuation	dB	45	50	-
Substrate Material	-	128-LiNbO ₃		
Temperature Coefficient	ppm/ $^{\circ}$ C	-72		

Package Dimension



Matching Configuration



L1=180nH, L2=100nH, C1=20pF, C2=300pF
 Source / Load Impedance = 50Ω
 Ambient Temperature = 25°C

Rev.0 120131

