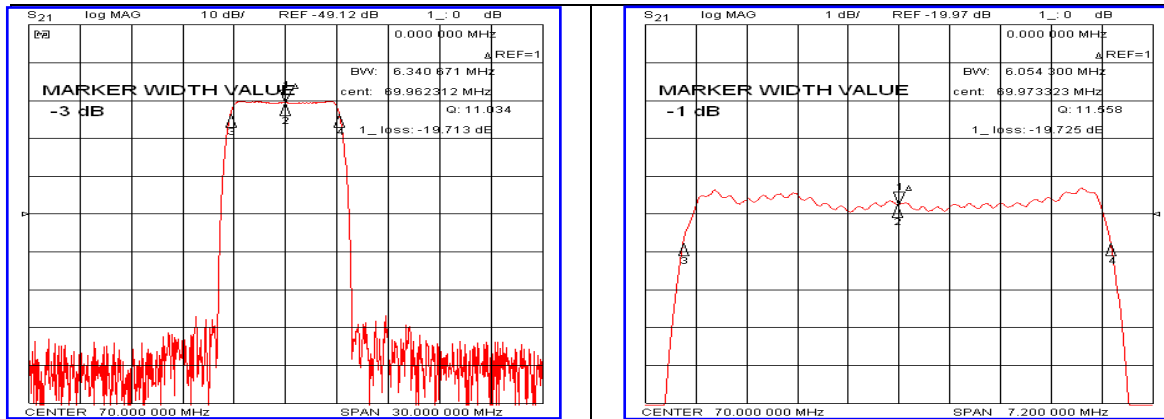


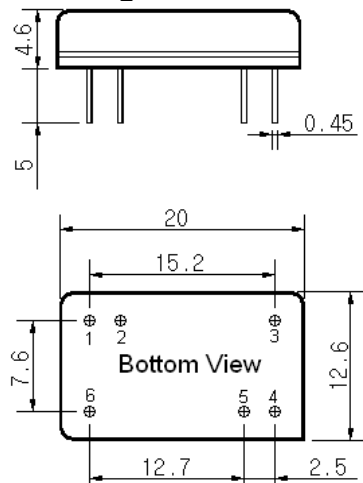
### Typical Performance



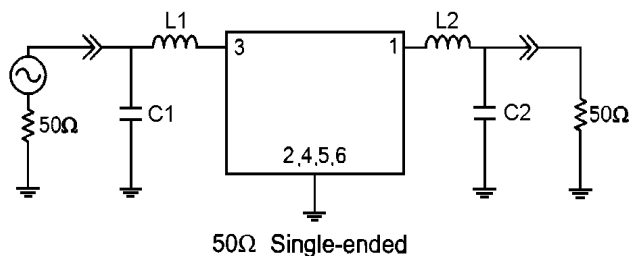
### Specification

Parameter	Unit	Min.	Typ.	Max.
Center Frequency	MHz	69.92	70.00	70.08
Insertion Loss	dB	-	20.00	22.00
1dB Bandwidth	MHz	5.90	6.05	-
30dB Bandwidth	MHz	-	7.50	7.60
40dB Bandwidth	MHz	-	7.60	-
Passband Ripple	dB	-	0.65	1.00
Group Delay Variation	nsec	-	100	200
Absolute Delay	µsec	-	2.20	-
Ultimate Attenuation	dB	48	53	-
Substrate Material	-	128-LiNbO <sub>3</sub>		
Temperature Coefficient	ppm/°C	-72		

### Package Dimension



### Matching Configuration



L1=12nH, L2=12nH, C1=24pF, C2=24pF  
 Source / Load Impedance = 50Ω  
 Ambient Temperature = 25°C

Rev1. 120221

