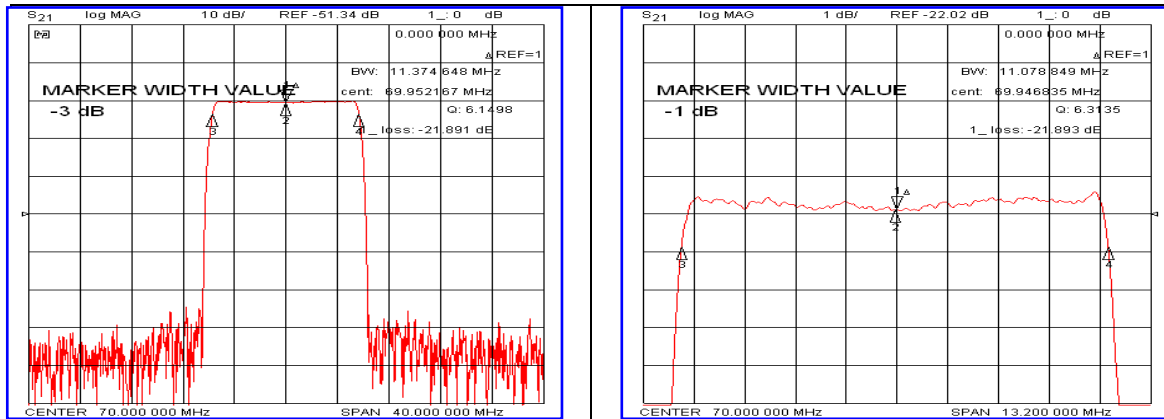


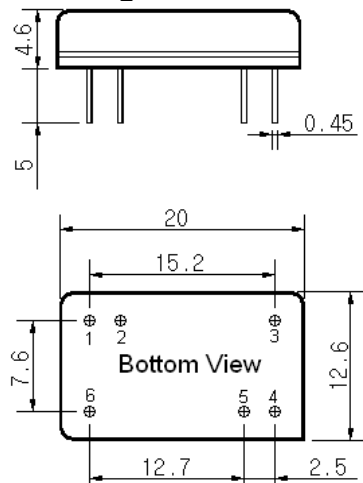
Typical Performance



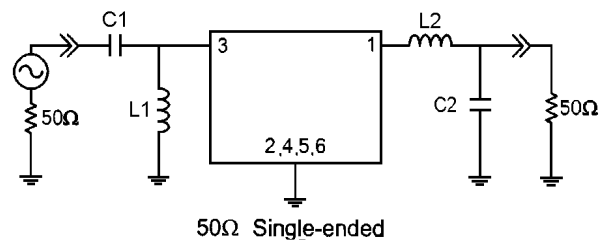
Specification

Parameter	Unit	Min.	Typ.	Max.
Center Frequency	MHz	69.92	70.00	70.08
Insertion Loss	dB	-	21.90	23.50
1dB Bandwidth	MHz	10.90	11.07	-
30dB Bandwidth	MHz	-	12.50	12.60
40dB Bandwidth	MHz	-	12.65	-
Passband Ripple	dB	-	0.55	1.00
Group Delay Variation	nsec	-	100	200
Absolute Delay	µsec	-	2.23	-
Ultimate Attenuation	dB	48	53	-
Substrate Material	-	128-LiNbO <sub>3</sub>		
Temperature Coefficient	ppm/°C	-72		

Package Dimension



Matching Configuration



L1=100nH, L2=33nH, C1=100pF, C2=14pF  
Source / Load Impedance = 50Ω  
Ambient Temperature = 25°C

Rev1. 120221

