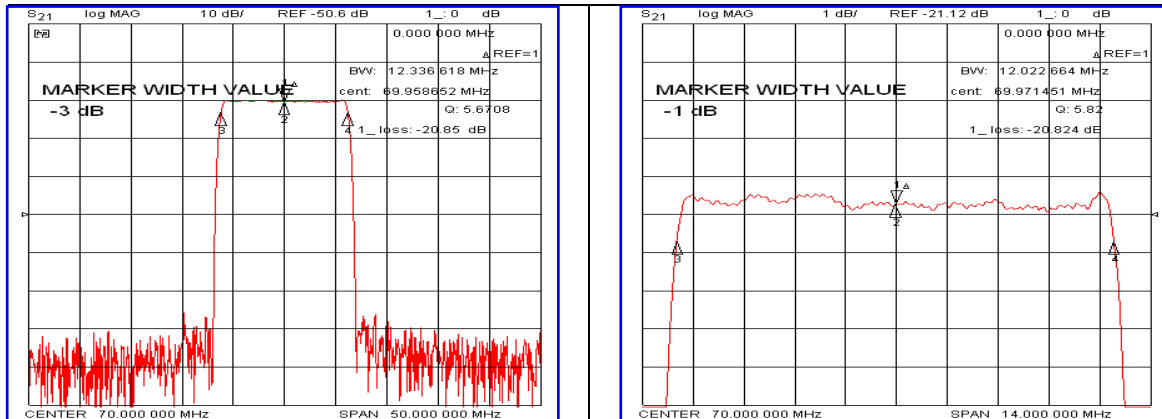


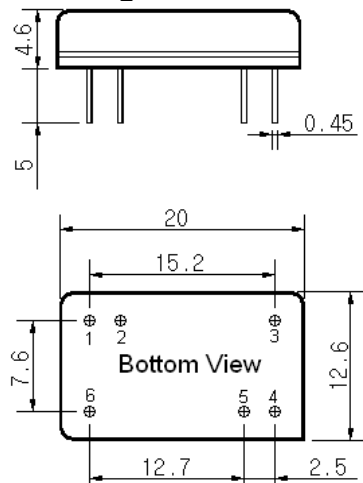
Typical Performance



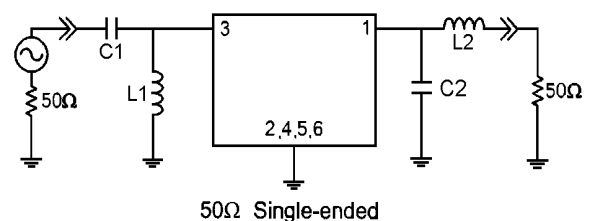
Specification

| Parameter | Unit | Min. | Typ. | Max. |
|-------------------------|--------|------------------------|-------|-------|
| Center Frequency | MHz | 69.92 | 70.00 | 70.08 |
| Insertion Loss | dB | - | 20.90 | 23.00 |
| 1dB Bandwidth | MHz | 11.90 | 12.02 | - |
| 30dB Bandwidth | MHz | - | 13.50 | 13.60 |
| 40dB Bandwidth | MHz | - | 13.67 | - |
| Passband Ripple | dB | - | 0.55 | 1.00 |
| Group Delay Variation | nsec | - | 100 | 200 |
| Absolute Delay | µsec | - | 2.24 | - |
| Ultimate Attenuation | dB | 48 | 53 | - |
| Substrate Material | - | 128-LiNbO ₃ | | |
| Temperature Coefficient | ppm/°C | -72 | | |

Package Dimension



Matching Configuration



L1=100nH, L2=100nH, C1=75pF, C2=12pF
Source / Load Impedance = 50Ω
Ambient Temperature = 25°C

Rev1. 120221

