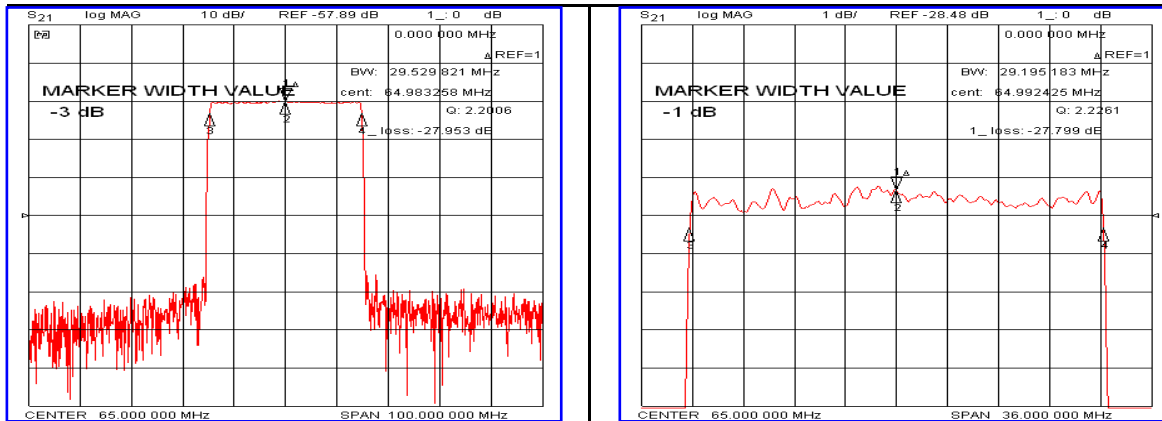


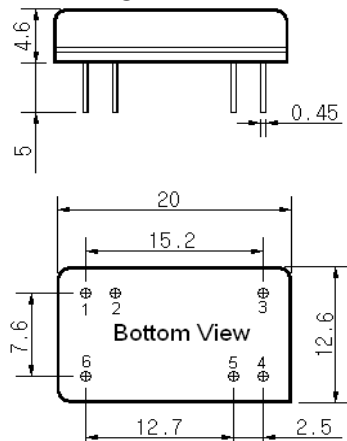
Typical Performance



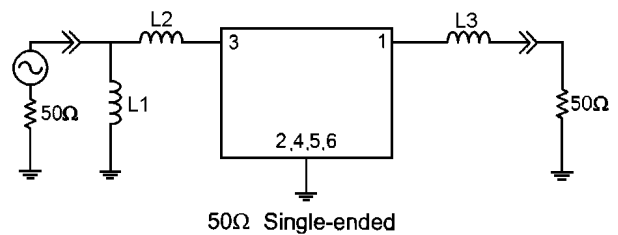
Specification

Parameter	Unit	Min.	Typ.	Max.
Center Frequency	MHz	-	65.00	-
Insertion Loss	dB	-	28.00	29.50
1dB Bandwidth	MHz	29.00	29.19	-
3dB Bandwidth	MHz	-	29.52	-
40dB Bandwidth	MHz	-	30.82	30.95
Passband Ripple($F_c \pm 14.22$ MHz)	dB	-	0.68	1.20
Ultimate Attenuation	dB	40	45	-
Absolute Delay	μ sec	-	1.85	-
Relative Attenuation $F_c \pm 14.22$ M ± 1.0 MHz Point	dB	-	18	-
Substrate Material	-	128-LiNbO ₃		
Temperature Coefficient	ppm/ $^{\circ}$ C	-72		

Package Dimension



Matching Configuration



L1=150nH, L2=150nH, L3=150nH
 Source / Load Impedance = 50 Ω
 Ambient Temperature = 25 $^{\circ}$ C

Rev 2. 120418

