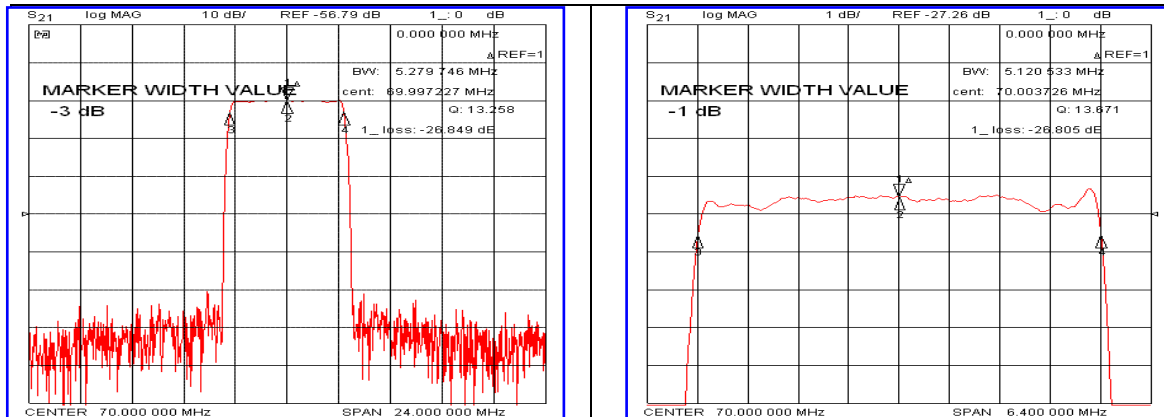


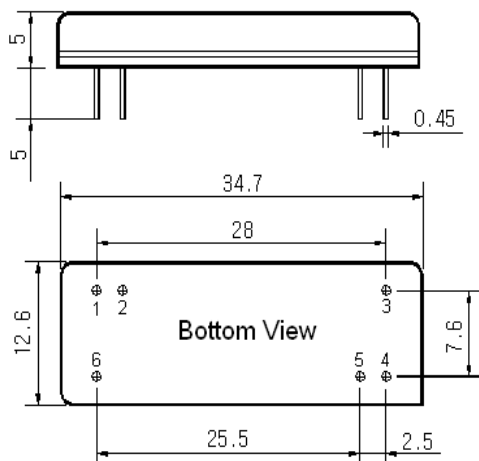
Typical Performance



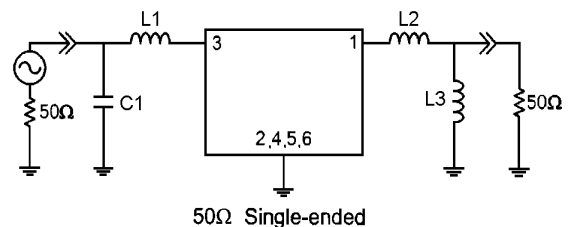
Specification

Parameter	Unit	Min.	Typ.	Max.
Center Frequency	MHz	69.92	70.00	70.08
Insertion Loss	dB	-	26.85	28.50
1dB Bandwidth	MHz	5.00	5.12	-
3dB Bandwidth	MHz	-	5.27	10.00
40dB Bandwidth	MHz	-	5.92	6.00
Passband Ripple	dB	-	0.65	1.20
Group Delay Variation	nsec	-	100	200
Absolute Delay	usec	-	4.77	-
Ultimate Attenuation	dB	45	50	-
Substrate Material	-	112-LiTaO ₃		
Temperature Coefficient	ppm/°C	-20		

Package Dimension



Matching Configuration



L1=120nH, L2=10nH, L3=82nH, C1=91pF
 Source / Load Impedance = 50Ω
 Ambient Temperature = 25°C

Rev.0 120420

