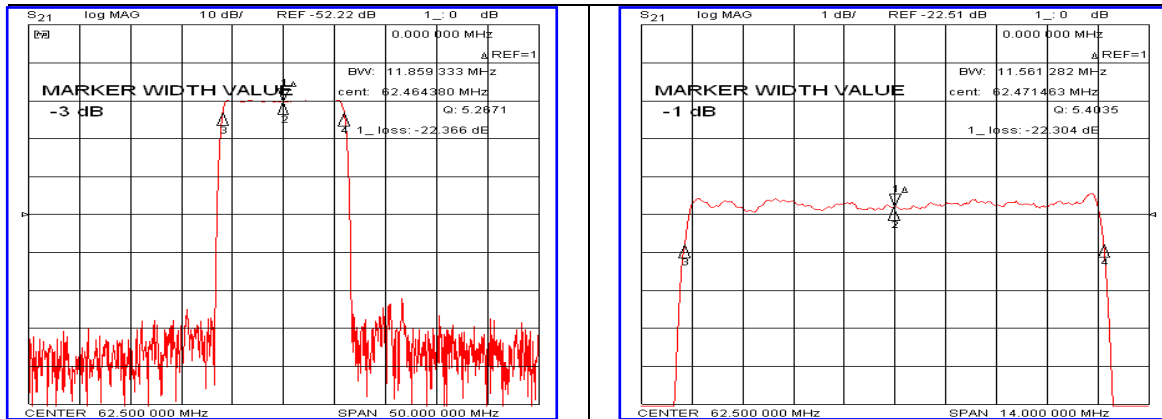


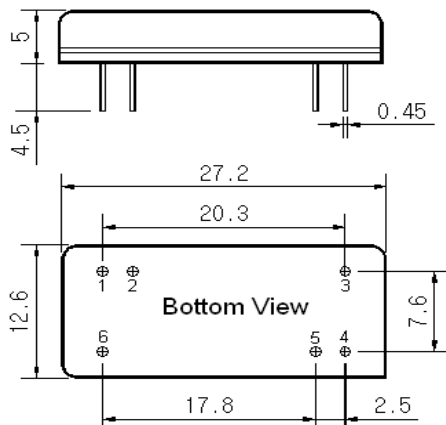
Typical Performance



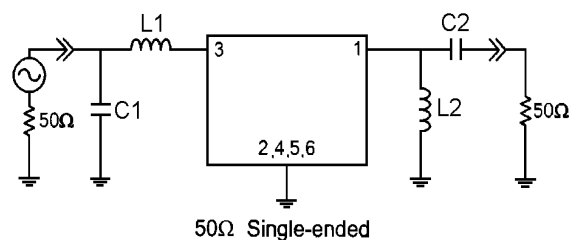
Specification

Parameter	Unit	Min.	Typ.	Max.
Center Frequency	MHz	-	62.50	-
Insertion Loss	dB	-	22.50	24.50
1dB Bandwidth	MHz	11.40	11.56	-
3dB Bandwidth	MHz	-	11.85	-
40dB Bandwidth	MHz	-	13.20	13.30
Passband Ripple($F_c \pm 5.25$ MHz)	dB	-	0.50	1.00
Group Delay Variation($F_c \pm 5.25$ MHz)	nsec	-	50	80
Relative Attenuation($F_c \pm 6.75$ MHz)	-	-	50	-
Absolute Delay	μ sec	-	2.12	-
Ultimate Attenuation	dB	47	52	-
Substrate Material	-	128-LiNbO ₃		
Temperature Coefficient	ppm/ $^{\circ}$ C	-72		

Package Dimension



Matching Configuration



L1=47nH, L2=120nH, C1=10pF, C2=47pF
 Source / Load Impedance = 50 Ω
 Ambient Temperature = 25 $^{\circ}$ C

Rev.0 120329

