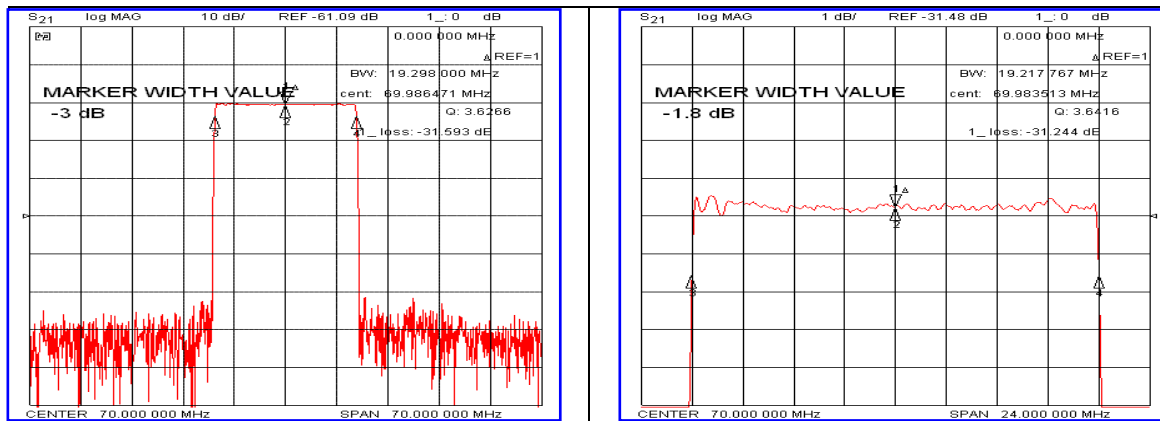


Typical Performance

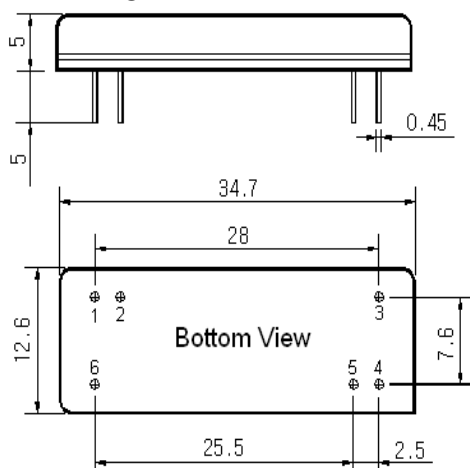


Specification

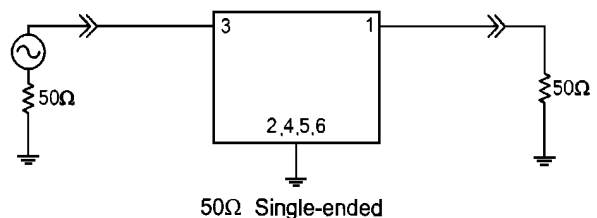
Parameter	Unit	Min.	Typ.	Max.
Center Frequency	MHz	69.90	70.00	70.10
Insertion Loss	dB	-	31.60	34.00
1.8dB Bandwidth	MHz	19.00	19.21	-
15dB Bandwidth	MHz	-	19.69	19.80
40dB Bandwidth	MHz	-	20.00	20.20
50dB Bandwidth	MHz	-	20.10	20.50
Passband Ripple	dB	-	0.60	1.20
Absolute Delay	μsec	-	3.71	4.50
Ultimate Attenuation	dB	50	53	-
Substrate Material	-	128-LiNbO ₃		
Temperature Coefficient	ppm/°C	-72		

* Analyzer Setting – Input Power +10dBm

Package Dimension



Matching Configuration



No Matching Required
 Source / Load Impedance = 50Ω
 Ambient Temperature = 25°C

Rev.0 120517

