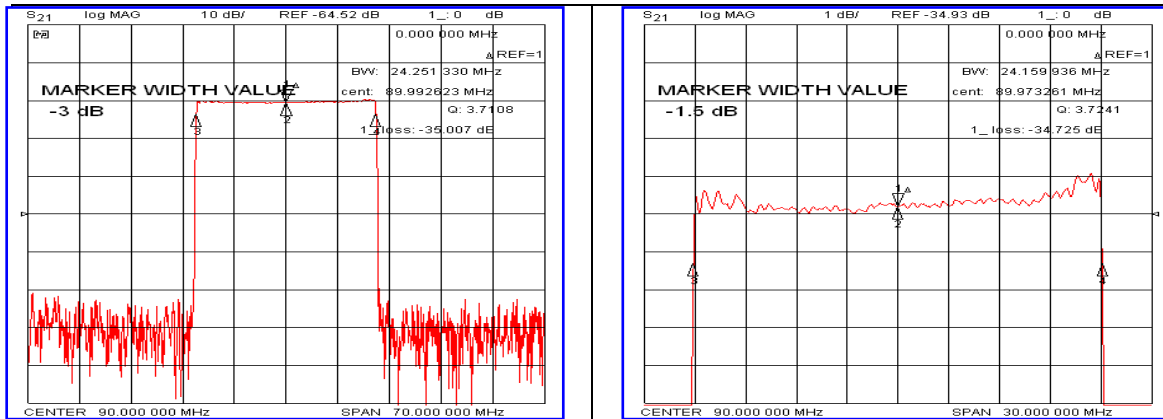


Typical Performance

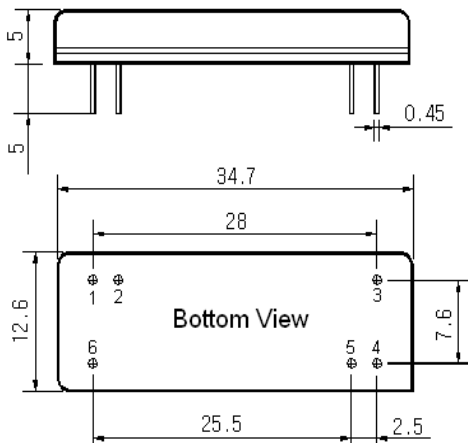


Specification

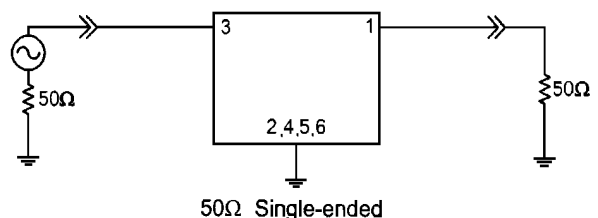
Parameter	Unit	Min.	Typ.	Max.
Center Frequency	MHz	89.85	90.00	90.15
Insertion Loss	dB	-	34.80	36.00
1.5dB Bandwidth	MHz	24.00	24.15	-
3dB Bandwidth	MHz	-	24.25	-
35dB Bandwidth	MHz	-	24.77	24.80
40dB Bandwidth	MHz	-	24.81	-
50dB Bandwidth	MHz	-	25.00	-
Passband Ripple	dB	-	1.05	1.50
Group Delay Variation(Fc ± 11MHz)	nsec	-	50	-
Phase Linearity(Fc ± 11MHz)	degree	-	6	-
Absolute Delay	µsec	-	3.89	-
Ultimate Attenuation	dB	50	53	-
Temperature Coefficient	ppm/°C	-94		

* Analyzer Setting – Input Power +10dBm

Package Dimension



Matching Configuration



No Matching Required
Source / Load Impedance = 50Ω
Ambient Temperature = 25°C

Rev.0 120517

